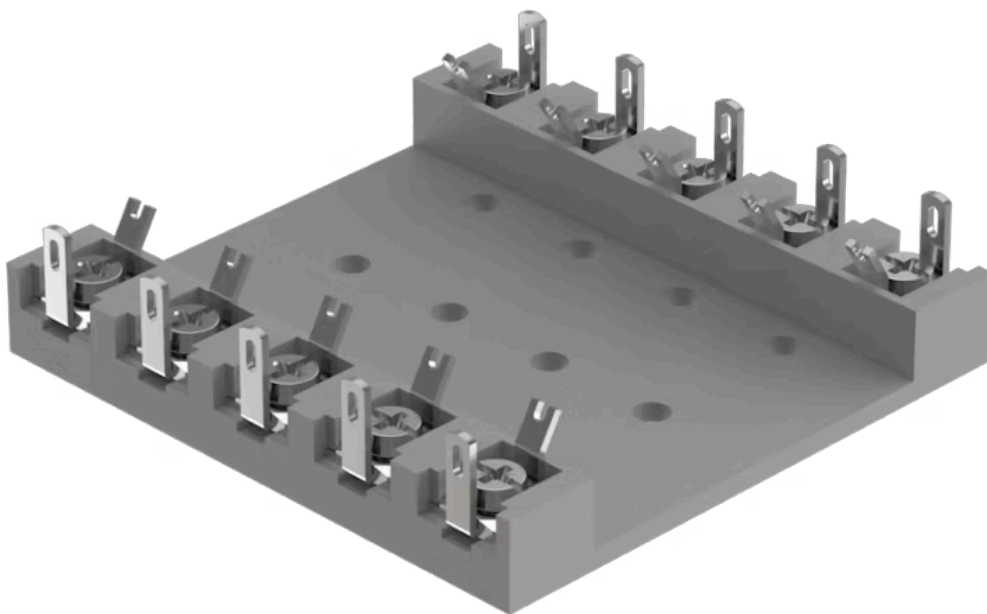


Terminal plate empty

02-912.2

Distribution by
Farnell



<https://farnell.eao.com/component/02-912.2/en...>

Your product:



02-912.2 Terminal plate empty

Loading . . .

PRODUCT RANGE

Product Status: Not Recommended for new design

ELECTRICAL CHARACTERISTICS

Forward voltage:

MECHANICAL CHARACTERISTICS

Weight: 0.045 kg

OTHER

Short Description: Terminal plate empty, 125 mm x 60 mm x 15 mm

Titel Accessory: Terminal plate empty

Dimension: 125 mm x 60 mm x 15 mm

Product attributes: 10 spaces

Hints: For fitting with series resistors