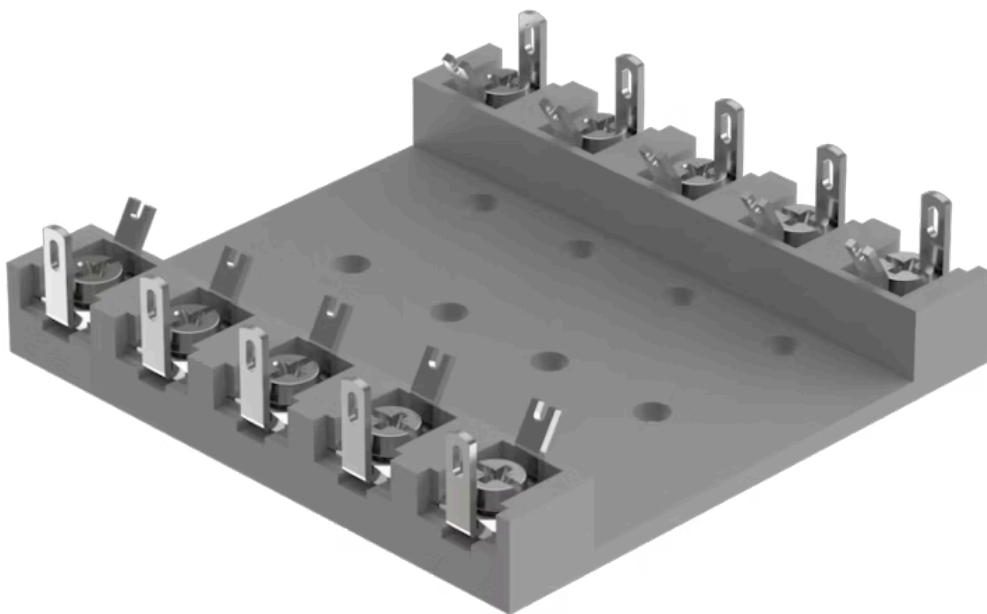


# Terminal plate empty

02-912.3

Distribution by  
Farnell



<https://farnell.eao.com/component/02-912.3/en...>

Your product:

---



## 02-912.3

### Terminal plate empty

#### PRODUCT RANGE

**Product Status:** Not Recommended for new design

#### MECHANICAL CHARACTERISTICS

**Weight:** 0.09 kg

#### OTHER

**Short Description:** Terminal plate empty, 187.6 mm x 60 mm x 15 mm

**Titel Accessory:** Terminal plate empty

**Dimension:** 187.6 mm x 60 mm x 15 mm

**Product attributes:** 15 spaces

**Hints:** For fitting with series resistors