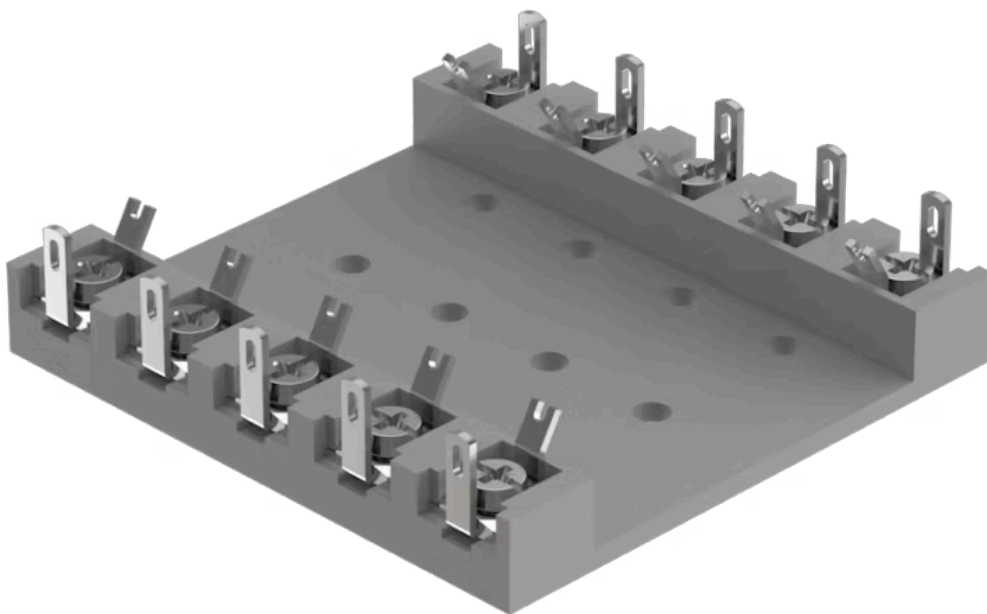


# Terminal plate empty

02-912.4

Distribution by  
Farnell



<https://farnell.eao.com/component/02-912.4/en...>

Your product:

---



## 02-912.4 Terminal plate empty

*Loading ...*

### PRODUCT RANGE

**Product Status:** Not Recommended for new design

### ELECTRICAL CHARACTERISTICS

**Forward voltage:**

### MECHANICAL CHARACTERISTICS

**Weight:** 0.15 kg

### OTHER

**Short Description:** Terminal plate empty, 250 mm x 60 mm x 15 mm

**Titel Accessory:** Terminal plate empty

**Dimension:** 250 mm x 60 mm x 15 mm

**Product attributes:** 20 spaces

**Hints:** For fitting with series resistors