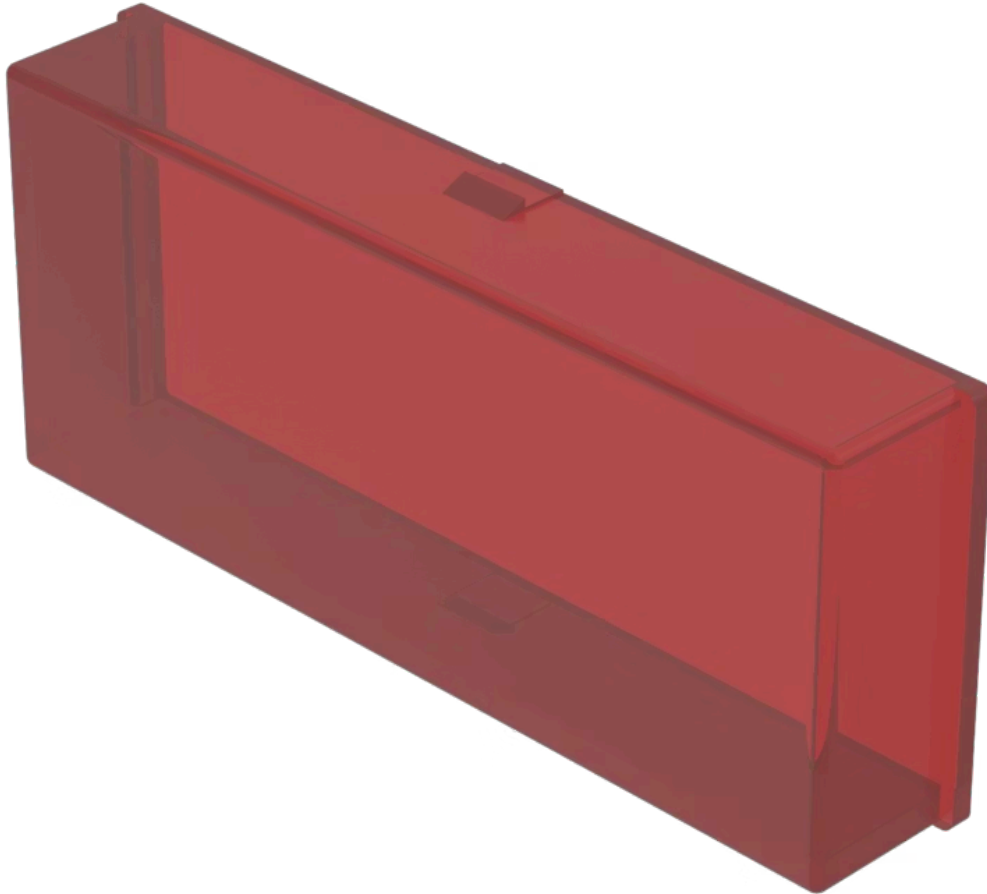


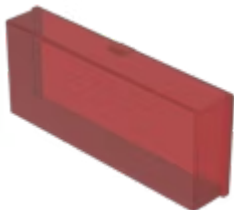
Hold-down unit

03-908.2

Distribution by
Farnell



Your product:



03-908.2 Hold-down unit

Loading . . .

PRODUCT RANGE

Product Status: Not Recommended for new design

FRONT

Colour: Red

MECHANICAL CHARACTERISTICS

Weight: 0.001 kg

OTHER

Short Description: Hold-down unit, Plastic, translucent, Red

Title Accessory: Hold-down unit

Material: Plastic

Product attributes: For film insert

Optics: translucent