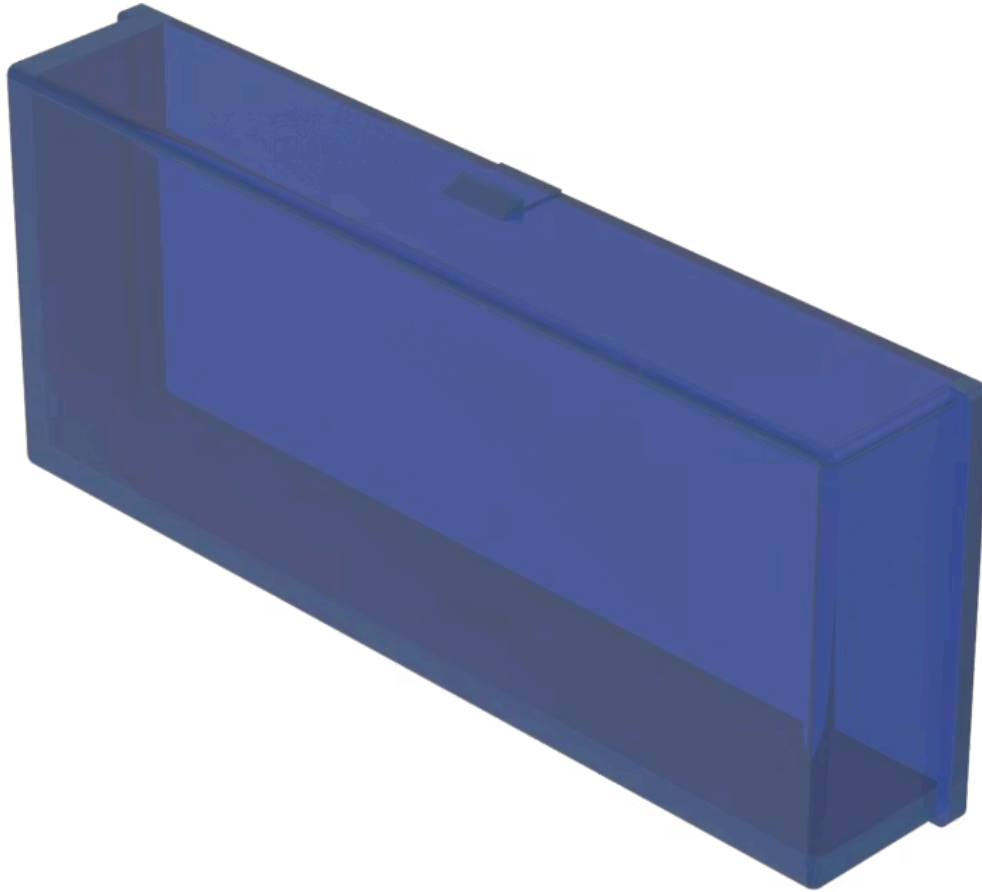


# Hold-down unit

03-908.6

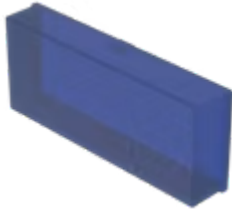
Distribution by  
Farnell



<https://farnell.eao.com/component/03-908.6/en...>

Your product:

---



## 03-908.6 Hold-down unit

*Loading ...*

### PRODUCT RANGE

**Product Status:** Not Recommended for new design

### FRONT

**Colour:** Blue

### ELECTRICAL CHARACTERISTICS

**Forward voltage:**

### MECHANICAL CHARACTERISTICS

**Weight:** 0.001 kg

### OTHER

**Short Description:** Hold-down unit, Plastic, translucent, Blue

**Titel Accessory:** Hold-down unit

**Material:** Plastic

**Product attributes:** For film insert

**Optics:** translucent