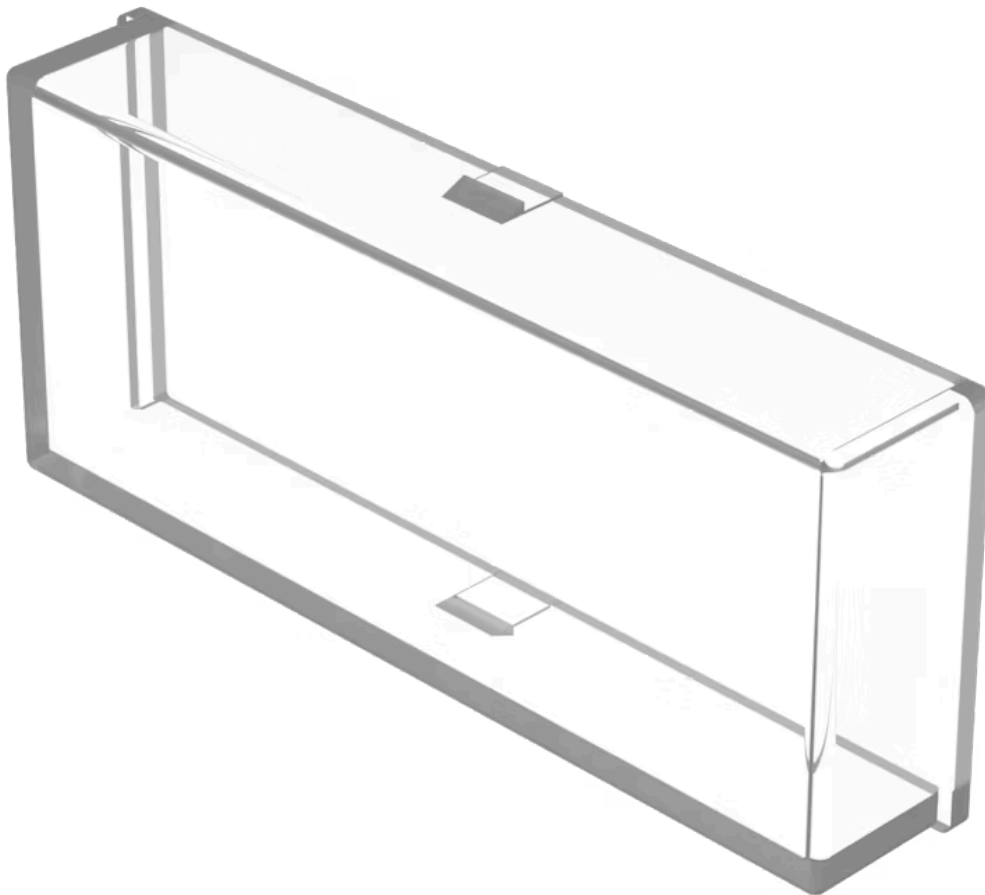


Hold-down unit

03-908.7

Distribution by
Farnell



<https://farnell.eao.com/component/03-908.7/en...>

Your product:



03-908.7 Hold-down unit

Loading . . .

PRODUCT RANGE

Product Status: Not Recommended for new design

FRONT

Colour: Colourless

ELECTRICAL CHARACTERISTICS

Forward voltage:

MECHANICAL CHARACTERISTICS

Weight: 0.001 kg

OTHER

Short Description: Hold-down unit, Plastic, transparent, Colourless

Titel Accessory: Hold-down unit

Material: Plastic

Product attributes: For film insert

Optics: transparent