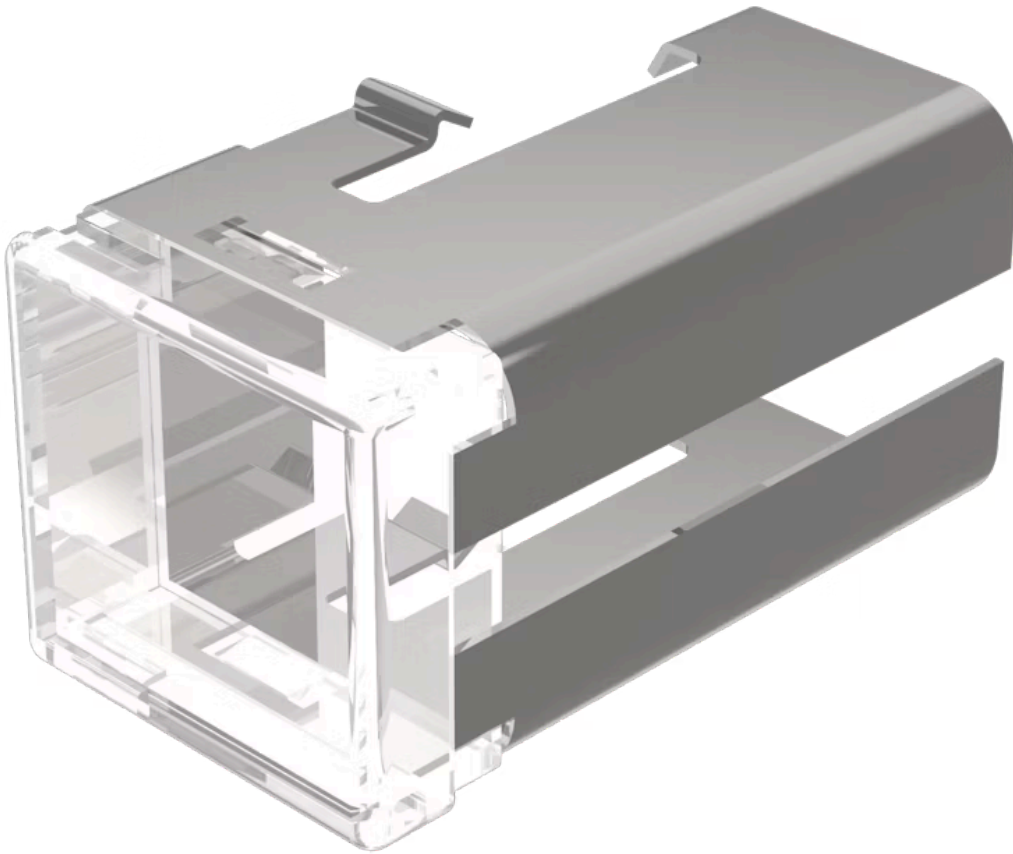


Lens

03-
953.7

Distribution by
Farnell



<https://farnell.eao.com/component/03-953.7/en...>

Your product:



03-953.7 Lens

Loading . .

PRODUCT RANGE

Product Status: Not Recommended for new design

FRONT

Front form: Rectangular

OPERATING-/INDICATION PART

Lens colour: Colourless

Lens material: Plastic

Lens illumination: Illuminated

Lens shape: Flush

Lens optics: transparent

MECHANICAL CHARACTERISTICS

Weight: 0.004 kg

CERTIFICATE

REACH: REACH compliant

RoHS: RoHS compliant

OTHER

Short Description: Lens, 18 mm x 19 mm, Illuminated, Colourless, Flush, Plastic

Dimension: 18 mm x 19 mm

Product attributes:

With black rim (prevents lateral light escape), use holder for film insert

Hints:

Order two lenses