

# Actuator

14-  
030.005

Distribution by  
Farnell



<https://farnell.eao.com/component/14-030.005/...>

Your product:

---



## 14-030.005 Actuator

*Loading ...*

### FRONT

**Front form:** Round

### MOUNTING

**Design:** Raised

**Mounting type:** Panel mounting

### ELECTRICAL CHARACTERISTICS

**Operating voltage:** 24 V AC/DC

### MECHANICAL CHARACTERISTICS

**Terminal:** Soldering terminal

**Tightening torque:** Fixing nut max. 0.25 Nm

**Weight:** 0.009 kg

### AMBIENT CONDITION

**IP front protection:** IP67, according to DIN EN 60529

**Operating temperature:** - 25 °C ... + 55 °C, mounted as a block, make sure the heat can escape freely

**Storage temperature:** - 40 °C ... + 85 °C

### CERTIFICATE

**Approbations:** CB (IEC 61058-1), CQC, CSA, DNV, ENEC (EN 61058-1), UL

**Conformities:** CE, UKCA, 2011 / 65 / EC (RoHS), 2014 / 35 / EU (LVD)

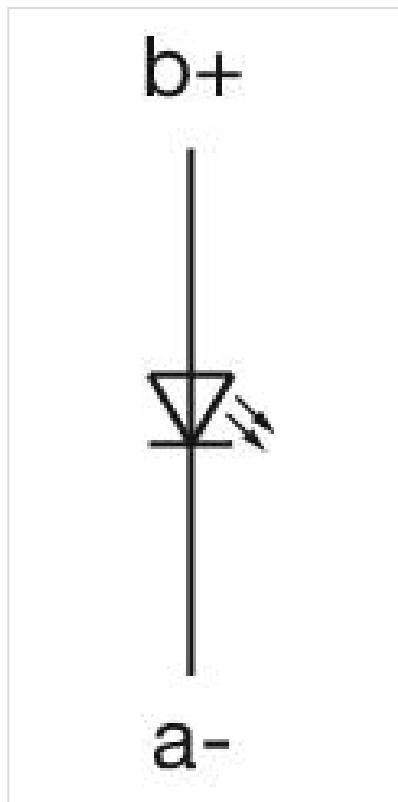
**REACH:** REACH compliant

**RoHS:** RoHS compliant

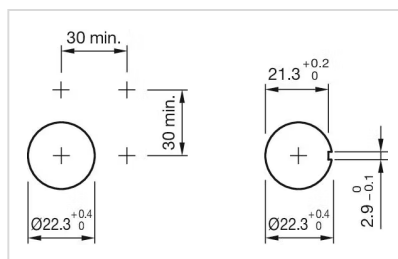
**OTHER**

**Short Description:** Actuator, Round, Soldering terminal, IP67, according to DIN EN 60529

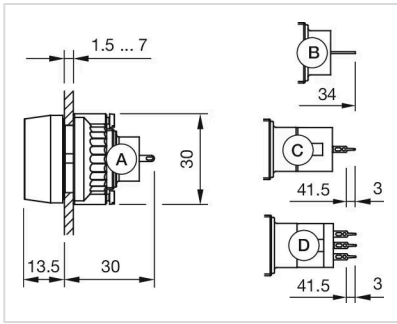
**Wiring diagrams:**



**Mounting cut-outs:**



**Dimension drawings:**



- A = Solder terminal
- B = Plug-in terminal 2.8 x 0.5 mm
- C = Universal terminal 2.0 mm x 0.5 mm
- D = Universal-Solder terminal