

Actuator

14-
810.910

Distribution by
Farnell



<https://farnell.eao.com/p/14-810.910>

Your product:



14-810.910 Actuator

FRONT

| | |
|------------------------------|-----------|
| Front dimension: | Ø 35 mm |
| Front form: | Round |
| Front bezel colour: | Black |
| Front bezel material: | Aluminium |

MOUNTING

| | |
|--------------------------|----------------|
| Design: | Flush |
| Mounting cut-out: | Ø 30.5 mm |
| Mounting type: | Panel mounting |

ELECTRICAL CHARACTERISTICS

| | |
|---------------------------|---------------|
| Operating voltage: | 24 V DC ±10 % |
| Operation current: | 25 mA |
| Switching rating: | |

MECHANICAL CHARACTERISTIC

| | |
|---------------------------|--------------------------------|
| Terminal: | Plug-in terminal, 2.8 x 0.5 mm |
| Tightening torque: | Fixing nut max. 0.25 Nm |
| Weight: | 0.016 kg |

ACOUSTICAL CHARACTERISTICS

| | |
|------------------------|--------------------------------------|
| Tone frequency: | Approx. 3.2 kHz continuous tone only |
|------------------------|--------------------------------------|

AMBIENT CONDITION

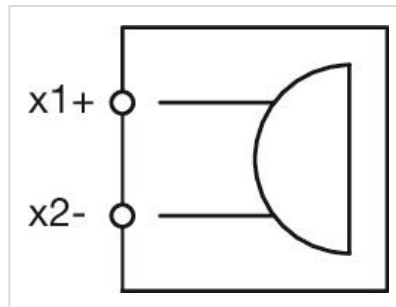
| | |
|-------------------------------|---------------------------------|
| IP front protection: | IP65, according to DIN EN 60529 |
| Operating temperature: | - 25 °C ... + 55 °C |
| Storage temperature: | - 40 °C ... + 85 °C |

CERTIFICATE

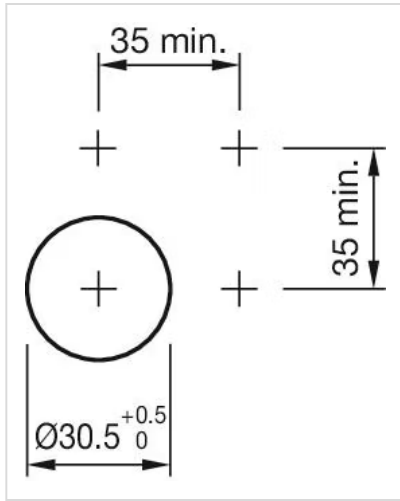
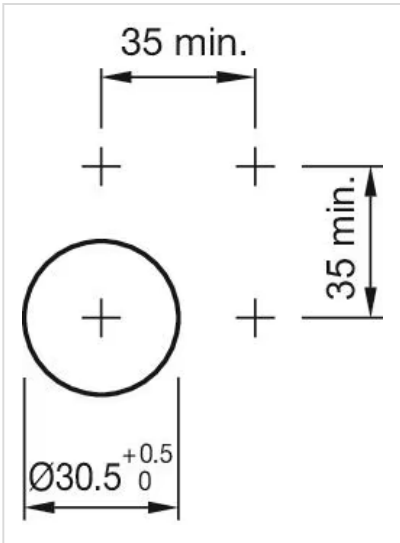
| | |
|----------------------|---|
| Approbations: | CQC, EMC |
| Conformities: | CE, UKCA, 2011 / 65 / EC (RoHS), 2014 / 35 / EU (LVD) |
| REACH: | REACH compliant |
| RoHS: | RoHS compliant |

OTHER

| | |
|---------------------------|--|
| Short Description: | Actuator, Ø 30.5 mm, Ø 35 mm, Round, Black, Aluminium, anodised, Plug-in terminal, 2.8 x 0.5 mm, IP65, according to DIN EN 60529 |
| Hints: | For PCB application use print adator |
| Buzzer system: | Piezo disc |
| Wiring diagrams: | |



Mounting cut-outs:



Dimension drawings:

