

Actuator

14-
810.918

Distribution by
Farnell



<https://farnell.eao.com/component/14-810.918/...>

Your product:



14-810.918 Actuator

Loading ...

FRONT

Front dimension:	Ø 35 mm
Front form:	Round
Front bezel colour:	Nature
Front bezel material:	Aluminium

MOUNTING

Design:	Flush
Mounting cut-out:	Ø 30.5 mm
Mounting type:	Panel mounting

ELECTRICAL CHARACTERISTICS

Operating voltage:	24 V DC $\pm 10\%$
Operation current:	25 mA

MECHANICAL CHARACTERISTICS

Terminal:	Plug-in terminal, 2.8 x 0.5 mm
Tightening torque:	Fixing nut max. 0.25 Nm
Weight:	0.018 kg

ACOUSTICAL CHARACTERISTICS

Tone frequency:	Approx. 3.2 kHz continuous tone only
Sound pressure:	95 db (A) ± 8 dB at a distance of 0.1m

AMBIENT CONDITION

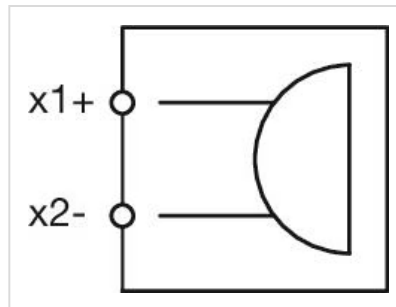
IP front protection:	IP65, according to DIN EN 60529
Operating temperature:	- 25 °C ... + 55 °C
Storage temperature:	- 40 °C ... + 85 °C

CERTIFICATE

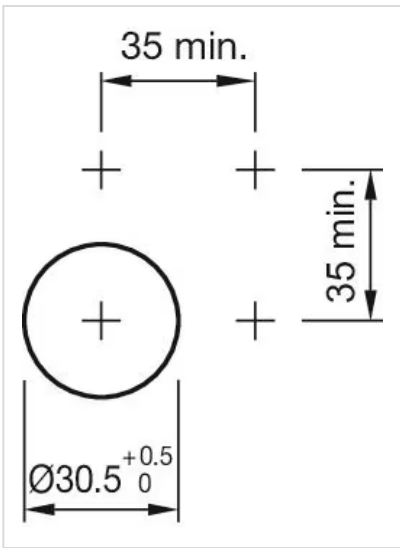
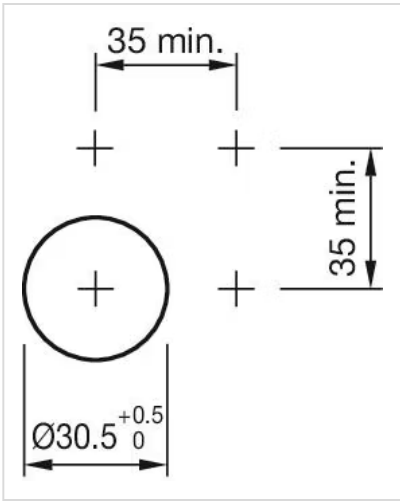
Approbations:	CQC, EMC
Conformities:	CE, UKCA, 2011 / 65 / EC (RoHS), 2014 / 35 / EU (LVD)
REACH:	REACH compliant
RoHS:	RoHS compliant

OTHER

Short Description:	Actuator, Ø 30.5 mm, Ø 35 mm, Round, Nature, Aluminium, anodised, Plug-in terminal, 2.8 x 0.5 mm, IP65, according to DIN EN 60529
Hints:	For PCB application use print adator
Buzzer system:	Piezo disc
Wiring diagrams:	



Mounting cut-outs:



Dimension drawings:

