

Indicator

17-120355

Distribution by
Farnell



<https://farnell.eao.com/component/17-120355/e...>

Your product:



17-120355 Indicator

FRONT

Front dimension:	Ø 9,5 mm
Front form:	Round
Reflector:	Metal, polished chromium-plated, domed

MOUNTING

Design:	Raised
Mounting cut-out:	Ø 8 mm
Mounting type:	Panel mounting

OPERATING-/INDICATION PART

Lens:	round
Illumination colour:	Red / Yellow

ELECTRICAL CHARACTERISTICS

Operating voltage:	24 V DC
Operation current:	22 mA ±15 %
Lumi. Intensity:	11/10 mcd
Polarity:	Anode (+) Brass plug-in connector Cathode (-) Brass tinned plug-in connector

MECHANICAL CHARACTERISTICS

Terminal:	Plug-in terminal, 2 x 0.5 mm
Tightening torque:	Fixing nut max. 0.2 Nm

Weight: 0.005 kg

AMBIENT CONDITION

IP Protection: IP40 front side, IP65 front side, according to IEC 60529

Operating temperature: - 20 °C ... + 60 °C

Storage temperature: - 25 °C ... + 80 °C

CERTIFICATE

Approbations: UL

Conformities: 2011 / 65 / EC (RoHS), 2014 / 35 / EU (230 VAC)

REACH: REACH compliant

RoHS: RoHS compliant

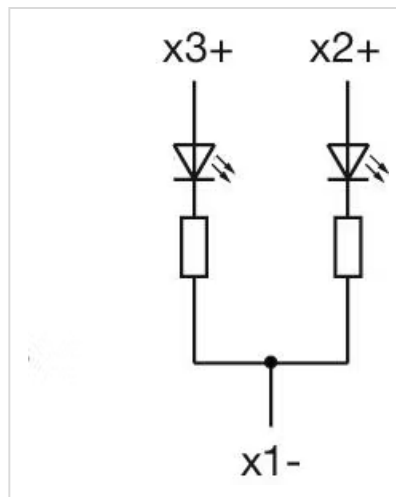
OTHER

Short Description: Indicator, Ø 8 mm, Ø 9,5 mm, Round, Plug-in terminal, 2 x 0.5 mm, Red / Yellow

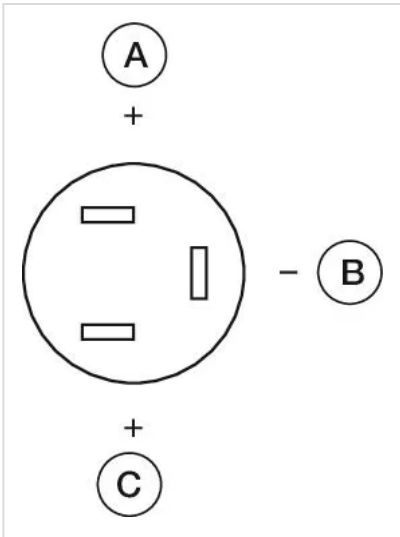
Kind of illumination: Bi-colour-LED

Hints: Connectors: Brass terminal = anode (+); brass tinned terminal = cathode (-)
IP67 front side gap between LED and reflector and gap between reflector and frontplate sealed to IP67 when using the supplied gasket.
The plastic is limited resistant to chemicals.

Wiring diagrams:

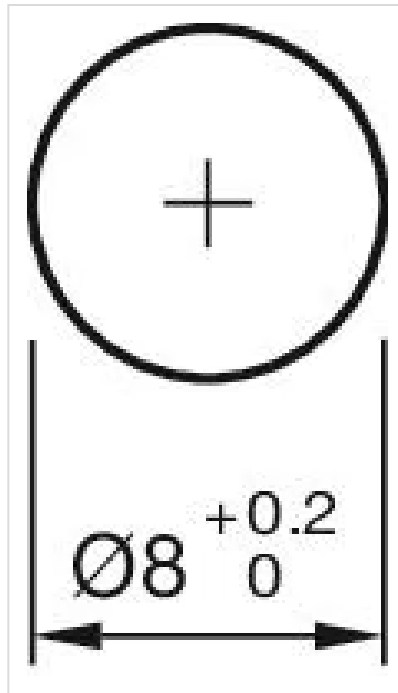


Component layouts:



A = Red
B = common cathode
C = Yellow

Mounting cut-outs:



Dimension drawings:



A = interior

B = exterior

C = superflat

D = Plug-in terminal 2.8 mm x 0.8 mm

E = Multi-colour

F = Protection tube

G = Plug-in terminal 2.0 mm x 0.5 mm