

Indicator

17-130354

Distribution by
Farnell



<https://farnell.eao.com/component/17-130354/e...>

Your product:



17-130354 Indicator

FRONT

| | |
|-------------------------|---|
| Front dimension: | Ø 9,5 mm |
| Front form: | Round |
| Reflector: | Metal, polished chromium-plated, internal |

MOUNTING

| | |
|--------------------------|----------------|
| Design: | Raised |
| Mounting cut-out: | Ø 8 mm |
| Mounting type: | Panel mounting |

OPERATING-/INDICATION PART

| | |
|-----------------------------|-------------|
| Lens: | round |
| Illumination colour: | Red / Green |

ELECTRICAL CHARACTERISTICS

| | |
|---------------------------|---|
| Operating voltage: | 24 V DC ±10 % |
| Operation current: | 22 mA ±15 % |
| Lumi. Intensity: | 30/11 mcd |
| Polarity: | Anode (+) Brass plug-in connector Cathode (-) Brass tinned plug-in connector |

MECHANICAL CHARACTERISTICS

| | |
|---------------------------|------------------------------|
| Terminal: | Plug-in terminal, 2 x 0.5 mm |
| Tightening torque: | Fixing nut max. 0.2 Nm |

Weight: 0.005 kg

AMBIENT CONDITION

IP Protection: IP40 front side, IP65 front side, according to IEC 60529

Operating temperature: - 20 °C ... + 60 °C

Storage temperature: - 25 °C ... + 80 °C

CERTIFICATE

Approbations: UL

Conformities: 2011 / 65 / EC (RoHS), 2014 / 35 / EU (230 VAC)

REACH: REACH compliant

RoHS: RoHS compliant

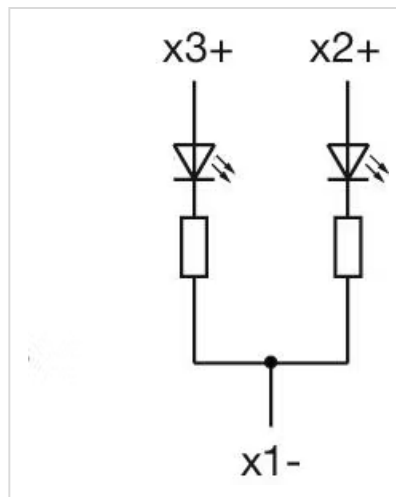
OTHER

Short Description: Indicator, Ø 8 mm, Ø 9,5 mm, Round, Plug-in terminal, 2 x 0.5 mm, Red / Green

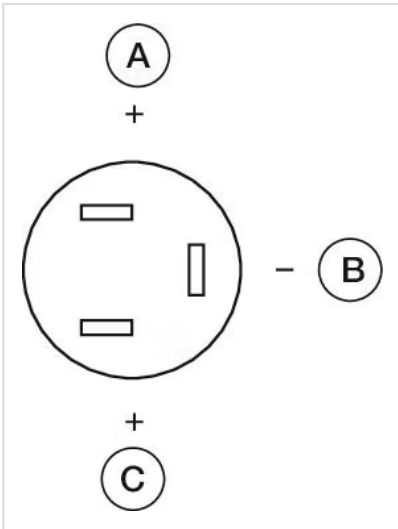
Kind of illumination: Bi-colour-LED

Hints: Connectors: Brass terminal = anode (+); brass tinned terminal = cathode (-)
IP67 front side gap between LED and reflector and gap between reflector and frontplate sealed to IP67 when using the supplied gasket.
The plastic is limited resistant to chemicals.

Wiring diagrams:

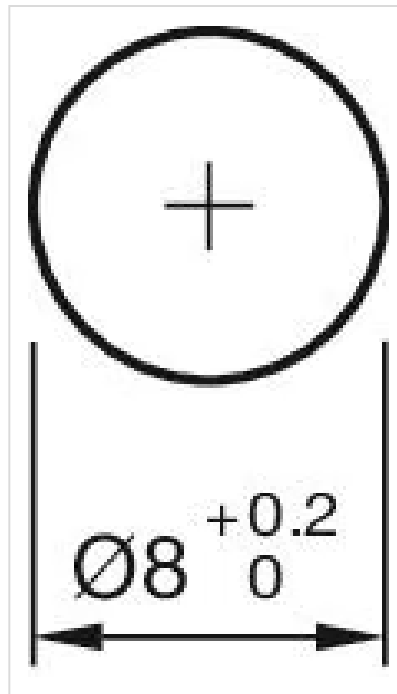


Component layouts:



A = Red
B = common cathode
C = Green

Mounting cut-outs:



Dimension drawings:



- A = interior
- B = exterior
- C = superflat
- D = Plug-in terminal 2.8 mm x 0.8 mm
- E = Multi-colour
- F = Protection tube
- G = Plug-in terminal 2.0 mm x 0.5 mm