

Indicator

17-
381350Z

Distribution by
Farnell



<https://farnell.eao.com/component/17-381350Z/...>

Your product:



17-381350Z Indicator

Loading ...

FRONT

| | |
|-------------------------|----------------|
| Front dimension: | Ø 18,3 mm |
| Front form: | Round |
| Reflector: | Plastic, Black |

MOUNTING

| | |
|--------------------------|----------------|
| Design: | Raised |
| Mounting cut-out: | Ø 16.2 mm |
| Mounting type: | Panel mounting |

OPERATING-/INDICATION PART

| | |
|-----------------------------|-------|
| Lens: | flush |
| Illumination colour: | Red |

ELECTRICAL CHARACTERISTICS

| | |
|---------------------------|---|
| Operating voltage: | 24 V DC ±10 % |
| Operation current: | 16 mA ±15 % |
| Lumi. Intensity: | 870 mcd |
| Polarity: | Anode (+) Brass plug-in connector Cathode (-) Brass tinned plug-in connector |

MECHANICAL CHARACTERISTICS

| | |
|---------------------------|--------------------------------|
| Terminal: | Plug-in terminal, 2.8 x 0.8 mm |
| Tightening torque: | Fixing nut max. 0.2 Nm |

Weight: 0.007 kg

AMBIENT CONDITION

IP Protection: IP40 front side, IP65 front side, according to IEC 60529

Operating temperature: - 20 °C ... + 60 °C

Storage temperature: - 25 °C ... + 80 °C

CERTIFICATE

Approbations: UL

Conformities: 2011 / 65 / EC (RoHS), 2014 / 35 / EU (230 VAC)

REACH: REACH compliant

RoHS: RoHS compliant

OTHER

Short Description: Indicator, Ø 16.2 mm, Ø 18,3 mm, Round, Plug-in terminal, 2.8 x 0.8 mm, Red

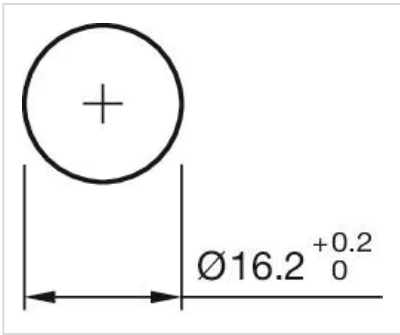
Kind of illumination: Single-LED

Hints: Connectors: Brass terminal = anode (+); brass tinned terminal = cathode (-)
IP67 front side gap between LED and reflector and gap between reflector and frontplate sealed to IP67 when using the supplied gasket.
The plastic is limited resistant to chemicals.

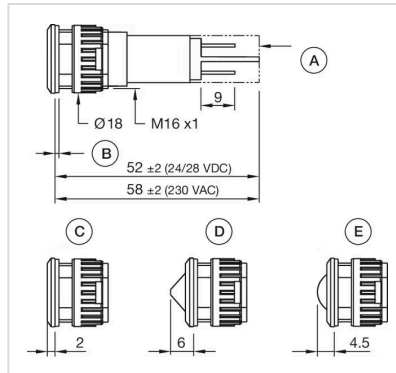
Wiring diagrams:



Mounting cut-outs:



Dimension drawings:



- A = Protection tube (only 230 VAC)
- B = 1 gasket
- C = flat
- conical
- D = round