

Indicator

17-
391352Z

Distribution by
Farnell



<https://farnell.eao.com/component/17-391352Z/...>

Your product:



17-391352Z Indicator

Loading ...

FRONT

Front dimension:	Ø 16 mm
Front form:	Round
Reflector:	Plastic, Black

MOUNTING

Design:	Raised
Mounting cut-out:	Ø 16.2 mm
Mounting type:	Panel mounting

OPERATING-/INDICATION PART

Lens:	conical
Illumination colour:	Yellow

ELECTRICAL CHARACTERISTICS

Operating voltage:	24 V DC ±10 %
Operation current:	3 mA ±15 %
Lumi. Intensity:	1640 mcd
Polarity:	Anode (+) Brass plug-in connector Cathode (-) Brass tinned plug-in connector

MECHANICAL CHARACTERISTICS

Terminal:	Plug-in terminal, 2.8 x 0.8 mm
Tightening torque:	Fixing nut max. 0.2 Nm

Weight: 0.007 kg

AMBIENT CONDITION

IP Protection: IP40 front side, IP65 front side, according to IEC 60529

Operating temperature: - 20 °C ... + 60 °C

Storage temperature: - 25 °C ... + 80 °C

CERTIFICATE

Approbations: UL

Conformities: 2011 / 65 / EC (RoHS), 2014 / 35 / EU (230 VAC)

REACH: REACH compliant

RoHS: RoHS compliant

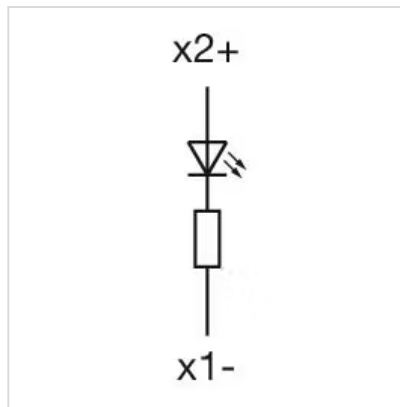
OTHER

Short Description: Indicator, Ø 16.2 mm, Ø 16 mm, Round, Plug-in terminal, 2.8 x 0.8 mm, Yellow

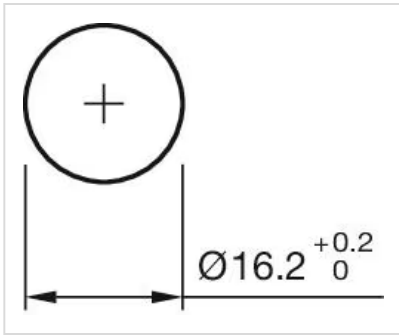
Kind of illumination: Single-LED

Hints: Maximum panel thickness 6 mm
Connectors: Brass terminal = anode (+); brass tinned terminal = cathode (-)

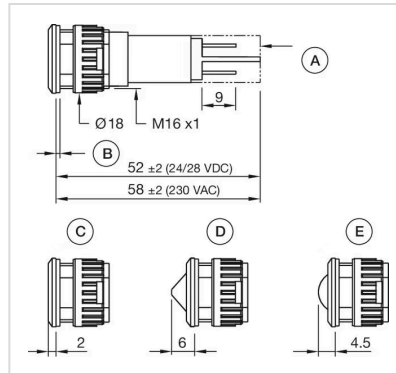
Wiring diagrams:



Mounting cut-outs:



Dimension drawings:



- A = Protection tube (only 230 VAC)
- B = 1 gasket
- C = flat
- conical
- D = round