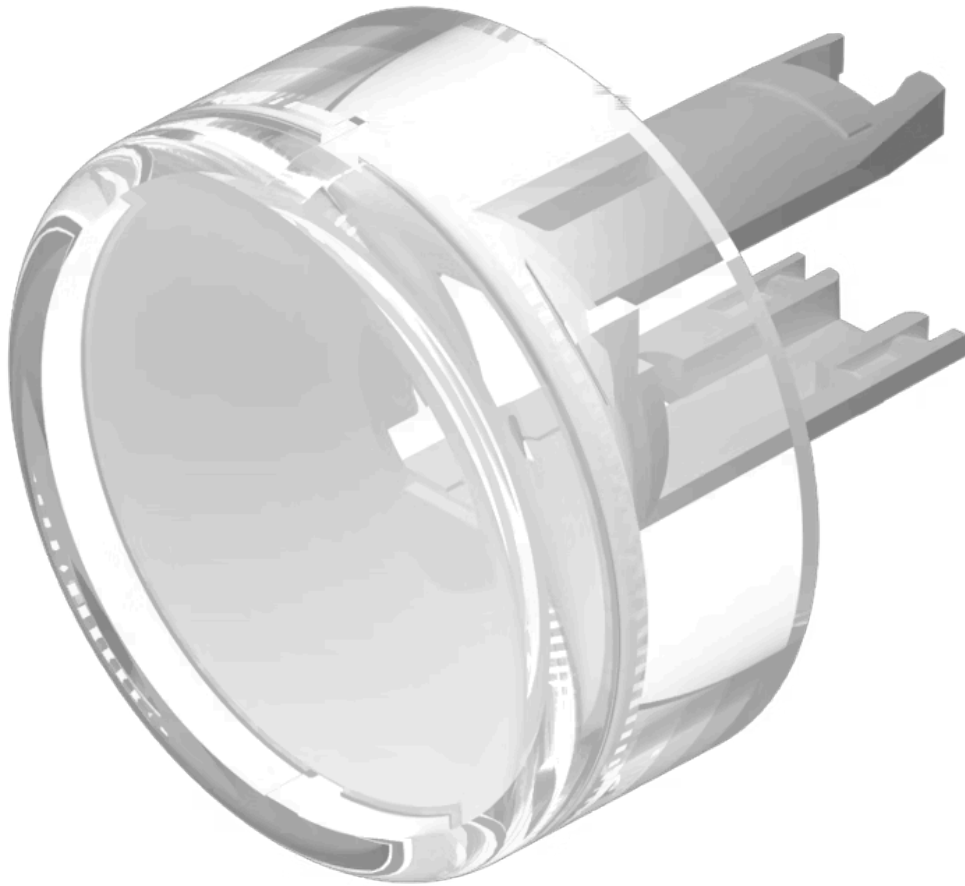


# Lens

18-  
962.9

Distribution by  
Farnell



<https://farnell.eao.com/component/18-962.9/en...>

Your product:

---



## 18-962.9 Lens

### PRODUCT RANGE

**Product Status:** Phase-out

### FRONT

**Front form:** Round

### OPERATING-/INDICATION PART

**Lens colour:** White

**Lens material:** Plastic

**Lens illumination:** Illuminated

**Lens shape:** Flush

**Lens optics:** translucent

### MECHANICAL CHARACTERISTICS

**Weight:** 0 kg

### CERTIFICATE

**REACH:** REACH compliant

**RoHS:** RoHS compliant

### OTHER

**Short Description:**

Lens, Ø 13.8 mm, Illuminated, White, Flush, Plastic

**Dimension:**

Ø 13.8 mm