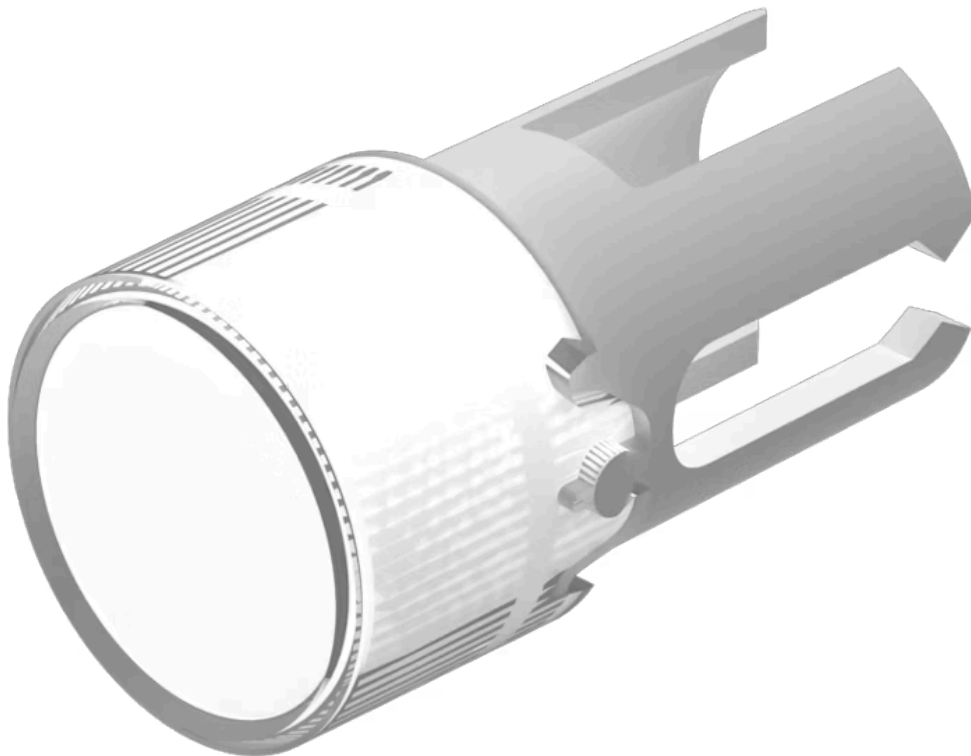


Lens

19-
931.9

Distribution by
Farnell



Your product:



19-931.9 Lens

Loading ...

FRONT

Front form: Round

OPERATING-/INDICATION PART

Lens colour: White

Lens material: Plastic

Lens illumination: Illuminated

Lens shape: Flush

Lens optics: transparent

MECHANICAL CHARACTERISTICS

Weight: 0 kg

CERTIFICATE

REACH: REACH compliant

RoHS: RoHS compliant

OTHER

Short Description: Lens, Ø 7.3 mm, Illuminated, White, Flush, Plastic

Dimension: Ø 7.3 mm

Product attributes: For film insert