

Actuator

31-
041.006

Distribution by
Farnell



<https://farnell.eao.com/component/31-041.006/...>

Your product:



31-041.006 Actuator

Loading ...

PRODUCT RANGE

Product Status: Not Recommended for new design

FRONT

Front dimension: 24 mm x 18 mm

Front form: Rectangular

Front bezel colour: Black

Front bezel material: Plastic

MOUNTING

Design: Raised

Mounting cut-out: Ø 16 mm

Mounting type: Panel mounting

MECHANICAL CHARACTERISTICS

Terminal: Universal terminal, 2 x 0.5 mm

Weight: 0.006 kg

CERTIFICATE

REACH: REACH compliant

RoHS: RoHS compliant

OTHER

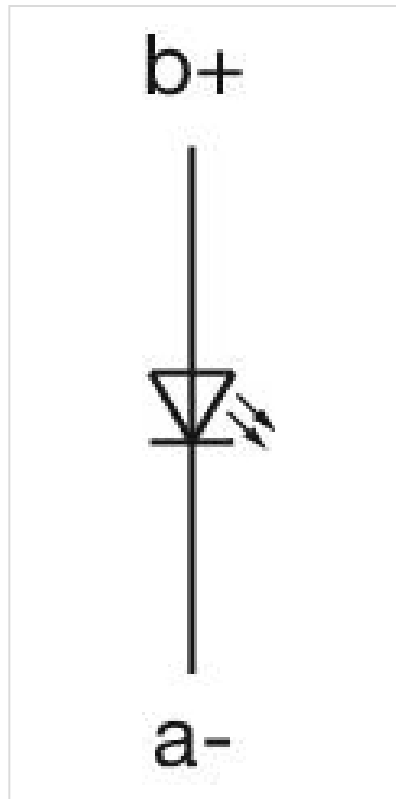
Short Description: Actuator, \varnothing 16 mm, 24 mm x 18 mm, Rectangular, Black, Plastic, Universal terminal, 2 x 0.5 mm

Internal size: 21,5 mm x 15,3 mm

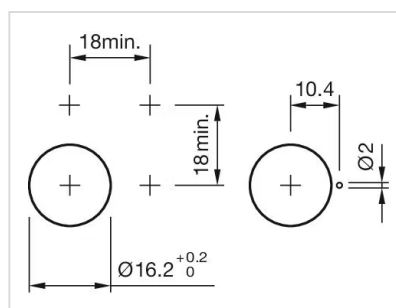
Housing colour: Black

Housing material: Plastic

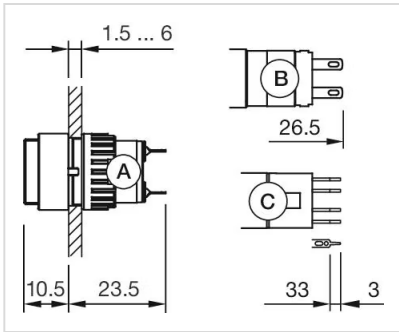
Wiring diagrams:



Mounting cut-outs:



Dimension drawings:



- A = Solder terminal
- B = Plug-in terminal 2.8 mm x 0.5 mm
- C = Universal terminal 2.0 mm x 0.5 mm