

# Actuator

31-  
810.005

Distribution by  
Farnell



[https://farnell.eao.com/component/31-810.005/...](https://farnell.eao.com/component/31-810.005/)

Your product:

---



## 31-810.005 Actuator

*Loading ...*

### FRONT

<b>Front dimension:</b>	24 mm x 18 mm
<b>Front form:</b>	Rectangular
<b>Front bezel colour:</b>	Black
<b>Front bezel material:</b>	Plastic

### MOUNTING

<b>Design:</b>	Raised
<b>Mounting cut-out:</b>	Ø 16 mm
<b>Mounting type:</b>	Panel mounting

### ELECTRICAL CHARACTERISTICS

<b>Switching voltage and switching current:</b>	Typ. 10 VAC ... 55 VAC, 25 mA Typ. 10 VDC ... 75 VDC, 15 mA
<b>Operating voltage:</b>	10 - 55 V AC

### MECHANICAL CHARACTERISTICS

<b>Terminal:</b>	Soldering terminal
<b>Tightening torque:</b>	Fixing nut max. 0.5 Nm
<b>Weight:</b>	0.011 kg

### ACOUSTICAL CHARACTERISTICS

**Tone frequency:** ca. 2.0 kHz  
**Sound pressure:** 88dB (A) ±8dB at a distance of 0.1m

**AMBIENT CONDITION**

**IP Protection:** IP40  
**Operating temperature:** - 25 °C ... + 55 °C  
**Storage temperature:** - 40 °C ... + 85 °C

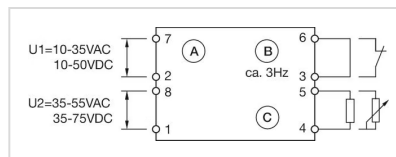
**CERTIFICATE**

**Approbations:** DNV  
**Conformities:** CE, UKCA, 2011 / 65 / EC (RoHS), 2014 / 35 / EU (LVD)  
**REACH:** REACH compliant  
**RoHS:** RoHS compliant

**OTHER**

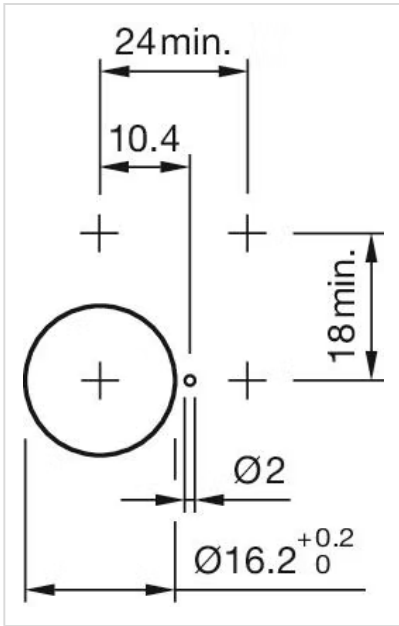
**Short Description:** Actuator, Ø 16 mm, 24 mm x 18 mm, Rectangular, Black, Plastic, Soldering terminal  
**Housing colour:** Black  
**Housing material:** Plastic  
**Product attributes:** Further information see Technical data  
**Buzzer system:** Electronic non-contacting buzzer with IC oscillator

**Wiring diagrams:**

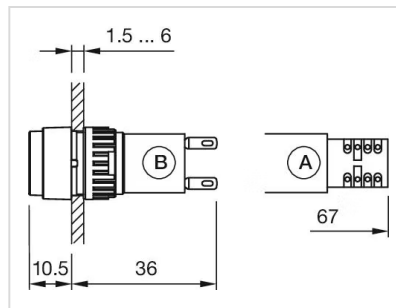


A = Power supply  
B = Continuous tone (when open) / Intermittent tone (when closed)  
C = Volume control

**Mounting cut-outs:**



Dimension drawings:



A = Solder terminal  
 B = Plug-in terminal 2.8 mm x 0.5 mm