

# PCB plug-in base

31-942

Distribution by  
Farnell

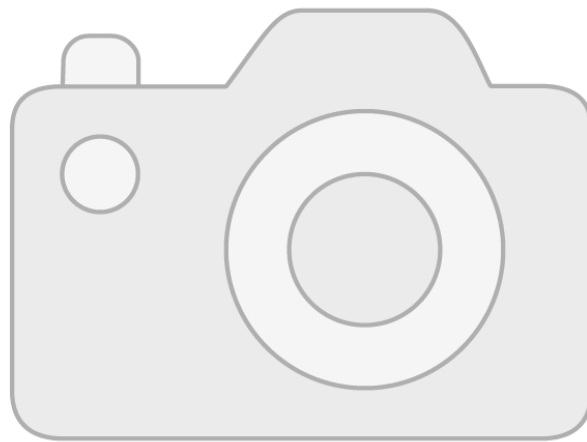


Image not available



<https://farnell.eao.com/component/31-942/en/p...>

Your product:



Image not available

# 31-942 PCB plug-in base

Loading ...

## MECHANICAL CHARACTERISTICS

**Terminal:** PCB terminal

**Weight:** 0.003 kg

## OTHER

**Short Description:** PCB plug-in base, Plastic, heat-resistant and self-extinguishing, PCB terminal, Axial

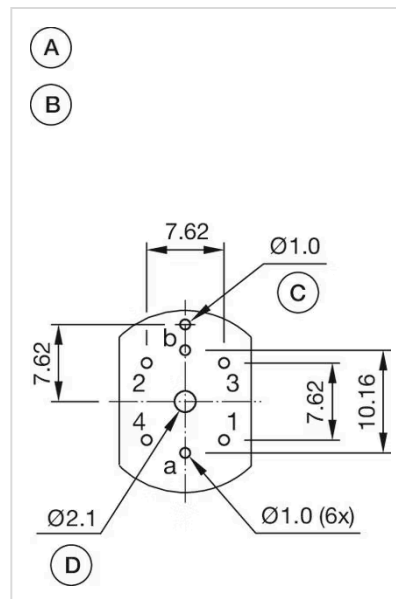
**Titel Accessory:** PCB plug-in base

**Material:** Plastic, heat-resistant and self-extinguishing

**Product attributes:** For snap-action switching element 2.8 mm

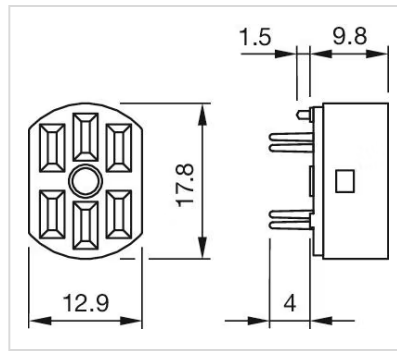
**Pins:** Axial

**Component layouts:**



- A = Axial socket
- B = Drilling-/occupancy plan (component side)
- C = non-metallic
- D = for central mounting with M2 screw, if desired

**Dimension drawings:**



for Part No. 31-942