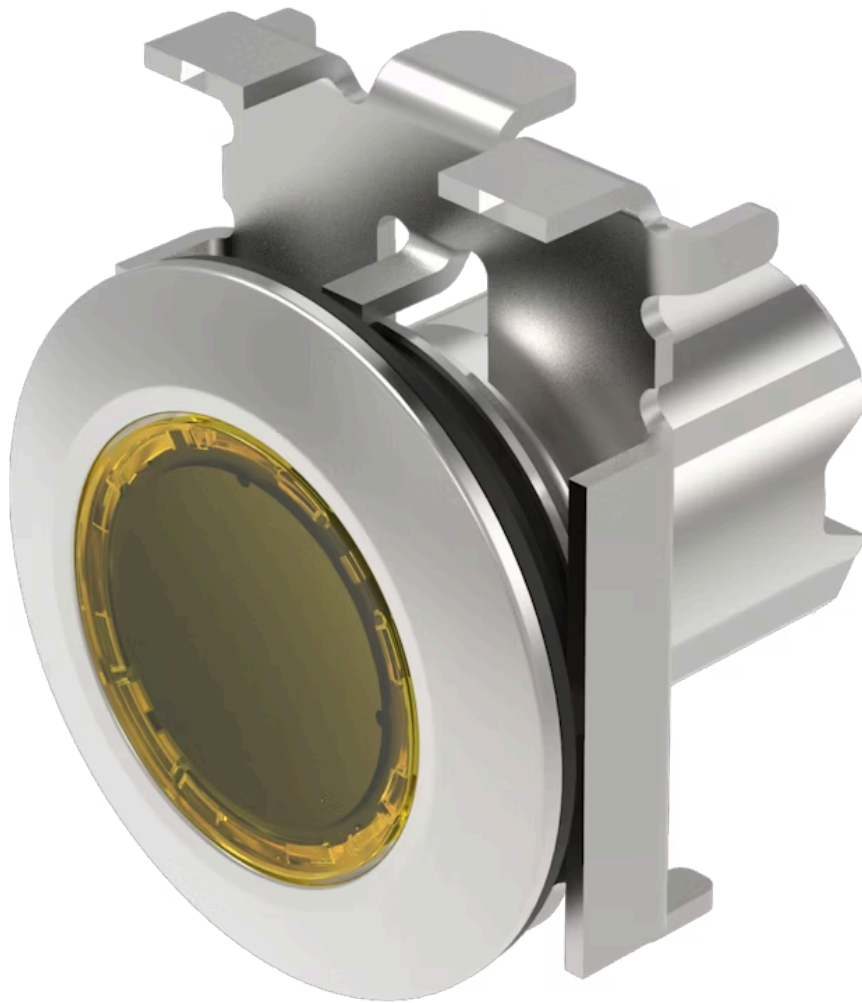


Actuator

45-
2234.4FG0.000

Distribution by
Farnell



<https://farnell.eao.com/component/45-2234.4FG...>

Your product:



45-2234.4FG0.000 Actuator

FRONT

Front dimension:	Ø 38 mm
Front form:	Round
Front bezel colour:	Sand grey
Front bezel material:	Metal

MOUNTING

Design:	Flush
Mounting cut-out:	Ø 30.5 mm
Mounting type:	Panel mounting

OPERATING-/INDICATION PART

Lens colour:	Yellow
Lens material:	Plastic
Lens illumination:	Illuminated
Lens shape:	Flush
Lens optics:	transparent
Illumination colour:	Yellow

MECHANICAL CHARACTERISTICS

Switching action:	Maintained
Switching system:	Slow-make switching element
Mechanical lifetime:	500 000 cycles of operation

Operating frequency: Max. 1 800/h

Weight: 0.072 kg

AMBIENT CONDITION

IP front protection: IP66, IP67, IP69K

Operating temperature: – 25 °C ... + 70 °C

Storage temperature: – 40 °C ... + 80 °C

Shock resistance: According to IEC 60068-2-27: Sinusoidal half-wave 50 g / 11 ms

Vibration resistance: According to IEC 60068-2-6: 20 ... 500 Hz: 5 g

Climate resistance: During operation according to IEC 60721: 3K6, 3C3, 3S2, 3M6

CERTIFICATE

REACH: REACH compliant

RoHS: RoHS compliant

OTHER

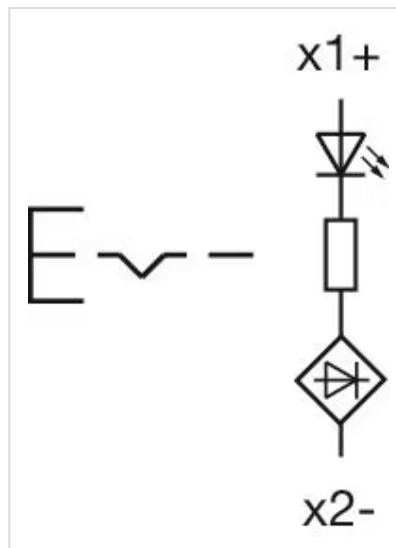
Short Description: Actuator, Ø 30.5 mm, Ø 38 mm, Flush, Illuminated, Yellow, Plastic, transparent, Round, Sand grey, Metal, Maintained, IP66, IP67, IP69K, Yellow

Housing colour: Silver

Housing material: Metal

Hints: Push to unlatch

Wiring diagrams:



Dimension drawings:

