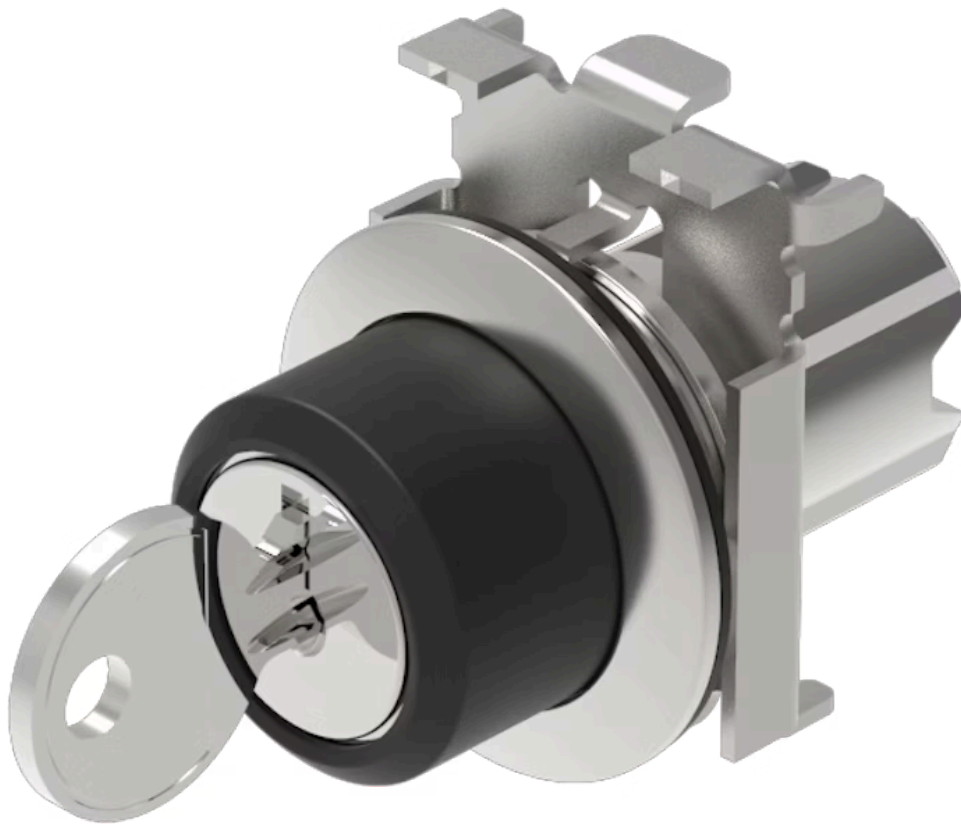


# Actuator

45-  
290J.4F00.111

Distribution by  
Farnell



<https://farnell.eao.com/component/45-290J.4F0...>

Your product:

---



## 45-290J.4F00.111 Actuator

### FRONT

<b>Front dimension:</b>	Ø 38 mm
<b>Front form:</b>	Round
<b>Front bezel colour:</b>	Sand grey
<b>Front bezel material:</b>	Metal

### MOUNTING

<b>Design:</b>	Flush
<b>Mounting cut-out:</b>	Ø 30.5 mm
<b>Mounting type:</b>	Panel mounting

### MECHANICAL CHARACTERISTICS

<b>Switching action:</b>	Rest - Maintained (a)
<b>Switching positions:</b>	2 positions
<b>Switching angle:</b>	90° right / -45° ... +45°
<b>Release type:</b>	Key release to unlock
<b>Mechanical lifetime:</b>	1 Mil. cycles of operation (RCC/RPB)
<b>Operating frequency:</b>	1 800/h
<b>Weight:</b>	0.106 kg

### AMBIENT CONDITION

<b>IP front protection:</b>	IP66, IP67, IP69K
<b>Operating temperature:</b>	- 25 °C ... + 70 °C

**Storage temperature:** - 40 °C ... + 80 °C

**Shock resistance:** According to IEC 60068-2-27: Sinusoidal half-wave 50 g / 11 ms

**Vibration resistance:** According to IEC 60068-2-6: 10 ... 500 Hz: 5 g

**Climate resistance:** During operation according to IEC 60721: 3K6, 3C3, 3S2, 3M6

## CERTIFICATE

**REACH:** REACH compliant

**RoHS:** RoHS compliant

## OTHER

**Short Description:** Actuator, Ø 30.5 mm, Ø 38 mm, Round, Sand grey, Metal, Rest - Maintained (a), IP66, IP67, IP69K, Key release to unlock

**Housing material:** Metal

**Hints:** The standard lock: RONIS, T254  
Front panel thickness 1 ... 6 mm

**Switching positions:**



**Wiring diagrams:**



**Dimension drawings:**

