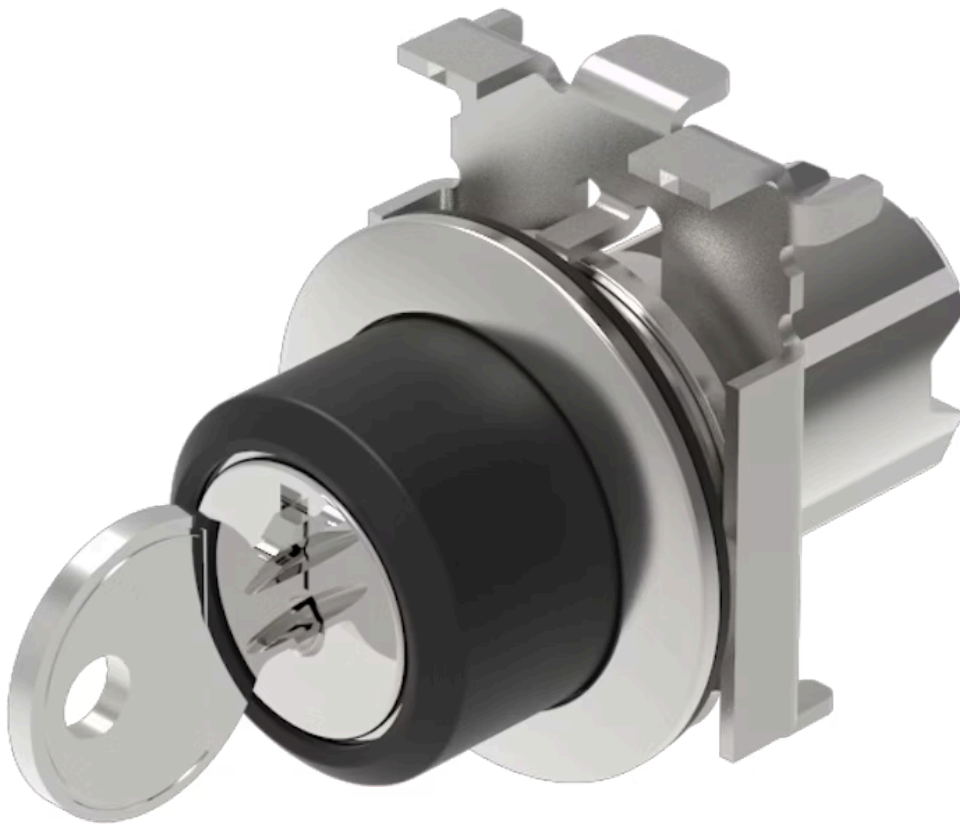


Actuator

45-
290J.4F00.116

Distribution by
Farnell



<https://farnell.eao.com/component/45-290J.4F0...>

Your product:



45-290J.4F00.116 Actuator

FRONT

| | |
|------------------------------|-----------|
| Front dimension: | Ø 38 mm |
| Front form: | Round |
| Front bezel colour: | Sand grey |
| Front bezel material: | Metal |

MOUNTING

| | |
|--------------------------|----------------|
| Design: | Flush |
| Mounting cut-out: | Ø 30.5 mm |
| Mounting type: | Panel mounting |

MECHANICAL CHARACTERISTICS

| | |
|-----------------------------|--------------------------------------|
| Switching action: | Rest (a) - Momentary |
| Switching positions: | 2 positions |
| Switching angle: | 45° right |
| Release type: | Key release to unlock |
| Mechanical lifetime: | 1 Mil. cycles of operation (RCC/RPB) |
| Operating frequency: | 1 800/h |
| Weight: | 0.107 kg |

AMBIENT CONDITION

| | |
|-------------------------------|---------------------|
| IP front protection: | IP66, IP67, IP69K |
| Operating temperature: | - 25 °C ... + 70 °C |

Storage temperature: - 40 °C ... + 80 °C

Shock resistance: According to IEC 60068-2-27: Sinusoidal half-wave 50 g / 11 ms

Vibration resistance: According to IEC 60068-2-6: 10 ... 500 Hz: 5 g

Climate resistance: During operation according to IEC 60721: 3K6, 3C3, 3S2, 3M6

CERTIFICATE

REACH: REACH compliant

RoHS: RoHS compliant

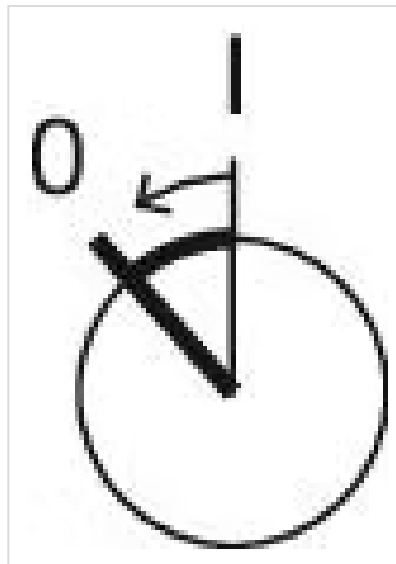
OTHER

Short Description: Actuator, Ø 30.5 mm, Ø 38 mm, Round, Sand grey, Metal, Rest (a) - Momentary, IP66, IP67, IP69K, Key release to unlock

Housing material: Metal

Hints: The standard lock: RONIS, T254
Front panel thickness 1 ... 6 mm

Switching positions:



Wiring diagrams:



Dimension drawings:

