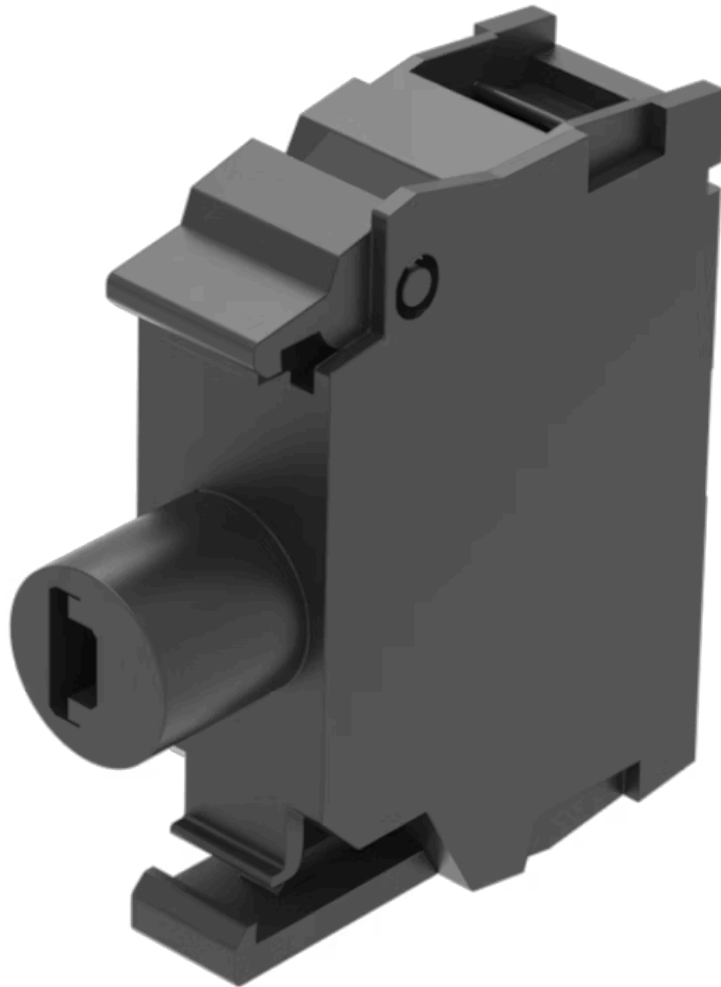


# Illumination element

45-320.1E17

Distribution by  
Farnell



<https://farnell.eao.com/component/45-320.1E17...>

Your product:

---



## 45-320.1E17 Illumination element

### MOUNTING

**Component mounting type:** Front mounting

### OPERATING-/INDICATION PART

**Illumination colour:** Red

### ELECTRICAL CHARACTERISTICS

**Operating voltage:** 110 V AC

**Surge voltage resistance:** 4 kV

**Lumi. Intensity:** 450 - 1120 mcd

### MECHANICAL CHARACTERISTICS

**Terminal:** Screw terminal

**Terminal details 1:** Solid 2 x (1.0 ... 1.5mm<sup>2</sup>)  
– With end sleeves 2 x (0.5 ... 0.75 mm<sup>2</sup>)

**Terminal details 2:** Finely stranded  
– Without end sleeves 2 x (0.5 ... 0.75 mm<sup>2</sup>)  
– Without end sleeves 2 x (0.5 ... 1.5 mm<sup>2</sup>)  
– For AWG cables for auxiliary contacts 2 x (18 ... 14)

**Weight:** 0.008 kg

### CERTIFICATE

**REACH:** REACH compliant

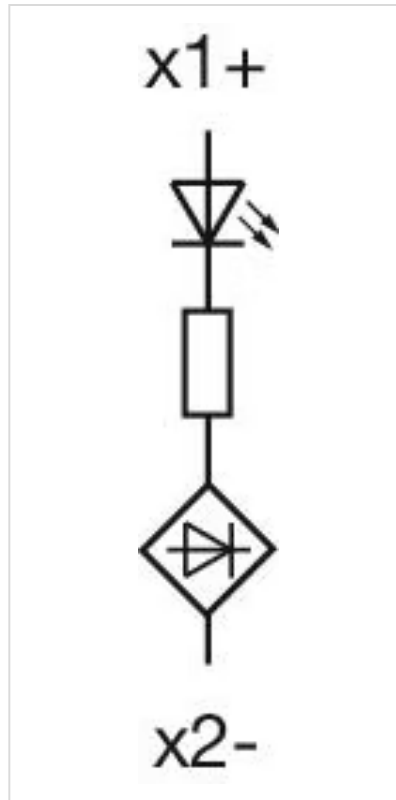
**RoHS:** RoHS compliant

**OTHER**

**Short Description:**

Illumination element, Screw terminal, Red, 110 V AC, Front mounting

**Wiring diagrams:**



**Dimension drawings:**

