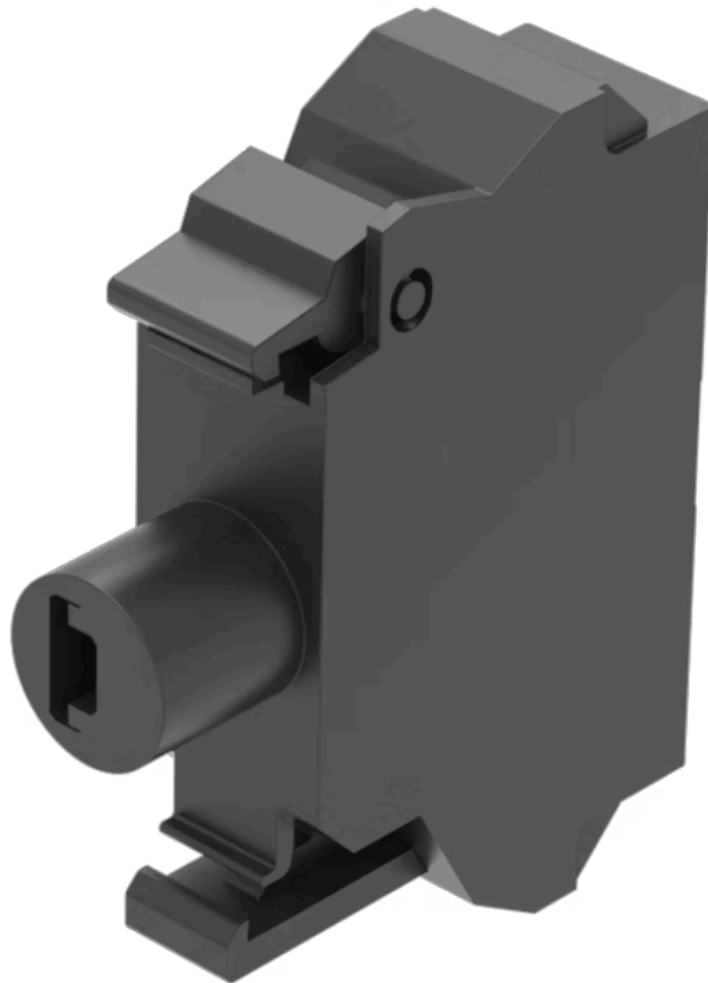


# Illumination element

45-320.1E42

Distribution by  
Farnell



<https://farnell.eao.com/p/45-320.1E42>

Your product:

---



## 45-320.1E42 Illumination element

### MOUNTING

**Component mounting type:** Front mounting

### OPERATING-/INDICATION PART

**Illumination colour:** Red

### ELECTRICAL CHARACTERISTICS

**Operating voltage:** 24 - 240 V AC/DC

**Surge voltage resistance:** 4 kV

**Lumi. Intensity:** 450 - 1120 mcd

### MECHANICAL CHARACTERISTIC

**Terminal:** Spring-type terminal

**Terminal details 1:**  
Solid 2 x (0.25 ... 1.5mm<sup>2</sup>)  
Finely stranded  
– Without end sleeves 2 x (0.5 ... 1.5 mm<sup>2</sup>)  
– With end sleeves 2 x (0.5 ... 0.75 mm<sup>2</sup>)  
– For AWG cables for auxiliary contacts 2 x (24 ... 16)

**Weight:** 0.01 kg

### CERTIFICATE

**REACH:** REACH compliant

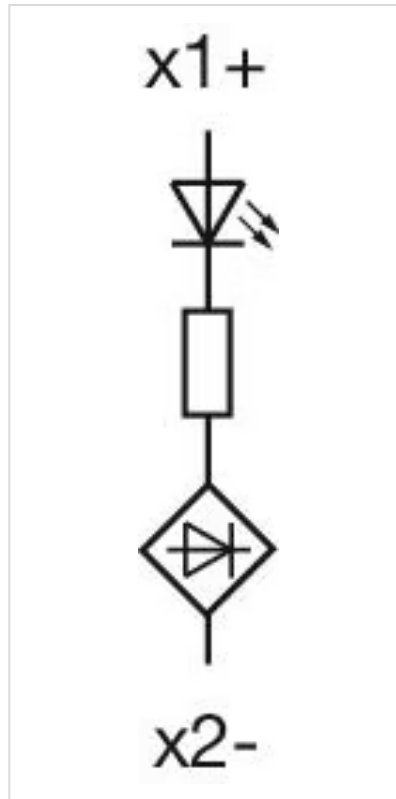
**RoHS:** RoHS compliant

### OTHER

**Short Description:**

Illumination element, Spring-type terminal, Red, 24 - 240 V AC/DC, Front mounting

**Wiring diagrams:**



**Dimension drawings:**

