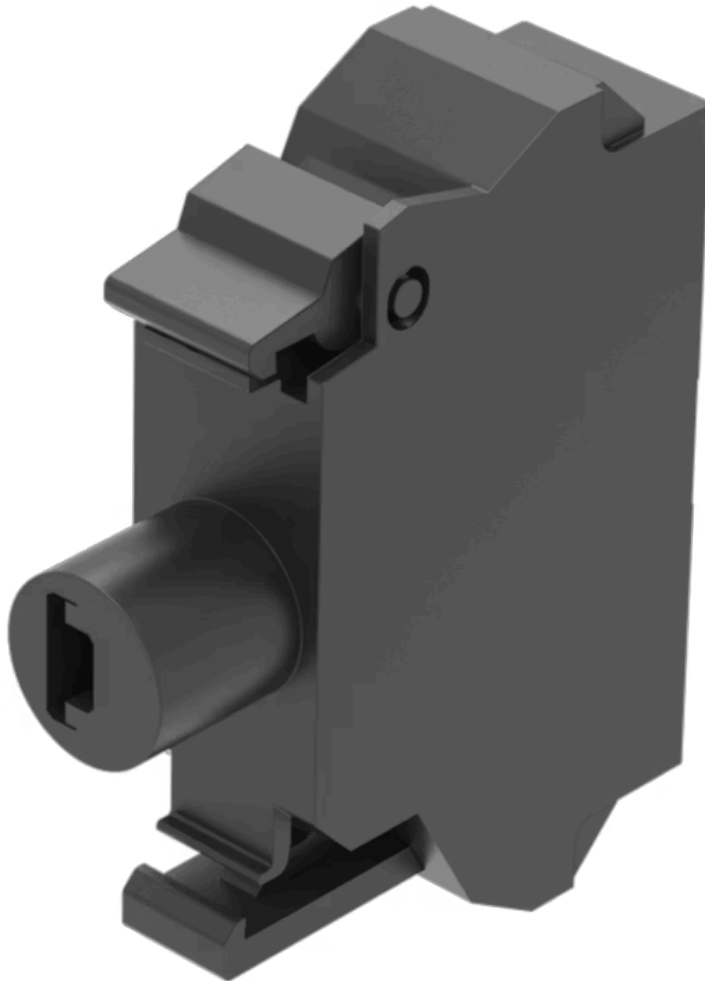


# Illumination element

45-320.1J42

Distribution by  
Farnell



<https://farnell.eao.com/component/45-320.1J42...>

Your product:

---



## 45-320.1J42 Illumination element

*Loading ...*

### **MOUNTING**

**Component mounting type:** Front mounting

### **OPERATING-/INDICATION PART**

**Illumination colour:** Blue

### **ELECTRICAL CHARACTERISTICS**

**Operating voltage:** 24 - 240 V AC/DC

**Surge voltage resistance:** 4 kV

**Lumi. Intensity:** 280 - 710 mcd

### **MECHANICAL CHARACTERISTICS**

**Terminal:** Spring-type terminal

**Terminal details 1:**  
Solid 2 x (0.25 ... 1.5mm<sup>2</sup>)  
Finely stranded  
– Without end sleeves 2 x (0.5 ... 1.5 mm<sup>2</sup>)  
– With end sleeves 2 x (0.5 ... 0.75 mm<sup>2</sup>)  
– For AWG cables for auxiliary contacts 2 x (24 ... 16)

**Weight:** 0.001 kg

### **CERTIFICATE**

**REACH:** REACH compliant

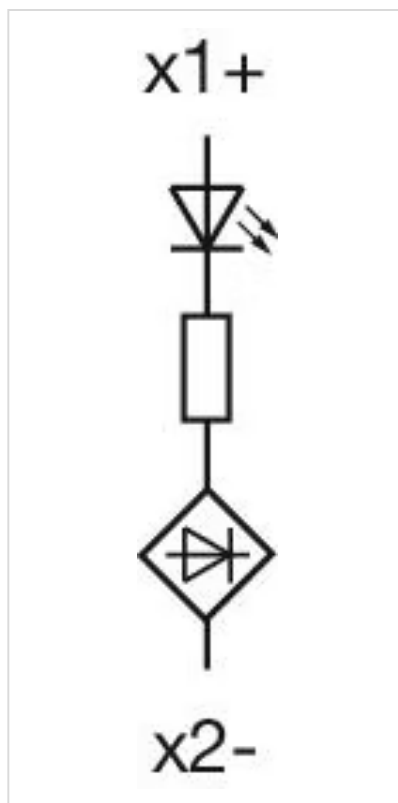
**RoHS:** RoHS compliant

### **OTHER**

**Short Description:**

Illumination element, Spring-type terminal, Blue, 24 - 240 V AC/DC, Front mounting

**Wiring diagrams:**



**Dimension drawings:**

