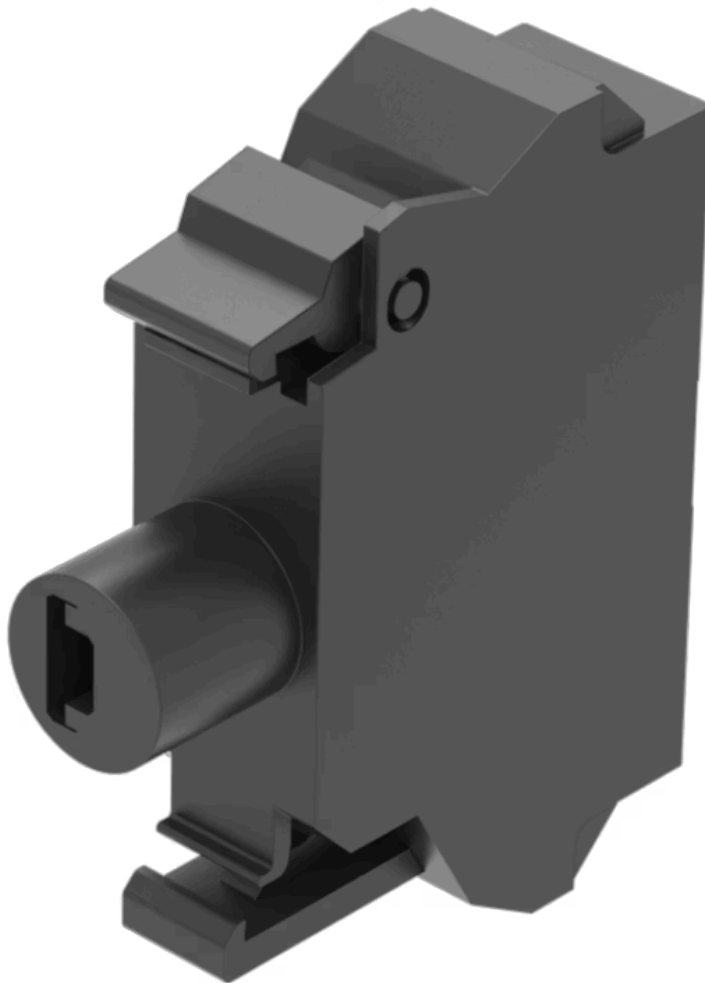


# Illumination element

45-320.1J48

Distribution by  
Farnell



<https://farnell.eao.com/component/45-320.1J48...>

Your product:

---



## 45-320.1J48

### Illumination element

#### MOUNTING

**Component mounting type:** Front mounting

#### OPERATING-/INDICATION PART

**Illumination colour:** Blue

#### ELECTRICAL CHARACTERISTICS

**Operating voltage:** 230 V AC

**Surge voltage resistance:** 4 kV

**Lumi. Intensity:** 280 - 710 mcd

#### MECHANICAL CHARACTERISTICS

**Terminal:** Spring-type terminal

**Terminal details 1:**  
Solid 2 x (0.25 ... 1.5mm<sup>2</sup>)  
Finely stranded  
– Without end sleeves 2 x (0.5 ... 1.5 mm<sup>2</sup>)  
– With end sleeves 2 x (0.5 ... 0.75 mm<sup>2</sup>)  
– For AWG cables for auxiliary contacts 2 x (24 ... 16)

**Weight:** 0.009 kg

#### CERTIFICATE

**REACH:** REACH compliant

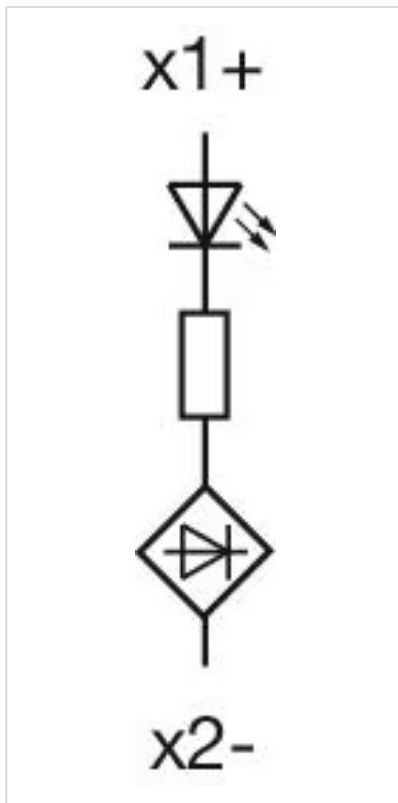
**RoHS:** RoHS compliant

#### OTHER

**Short Description:**

Illumination element, Spring-type terminal, Blue, 230 V AC, Front mounting

**Wiring diagrams:**



**Dimension drawings:**

