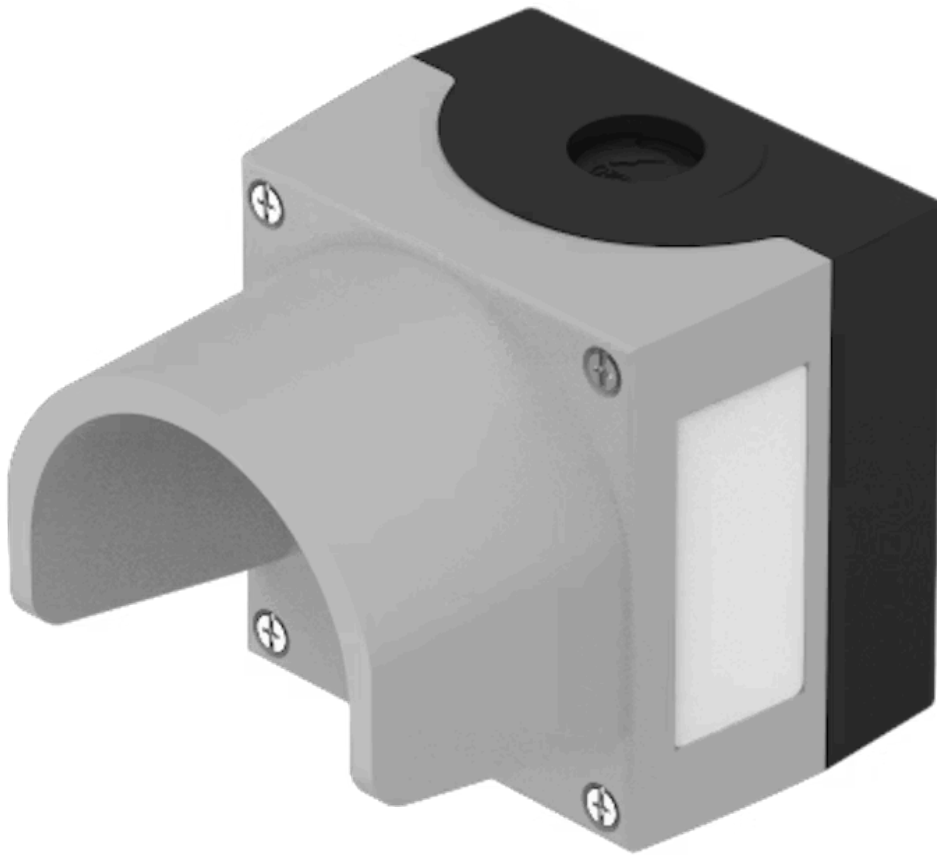


Enclosure

45-420.2803

Distribution by
Farnell



<https://farnell.eao.com/component/45-420.2803...>

Your product:



45-420.2803 Enclosure

Loading ..

FRONT

Colour: Grey

ELECTRICAL CHARACTERISTICS

Forward voltage:

MECHANICAL CHARACTERISTICS

Weight: 0.568 kg

AMBIENT CONDITION

IP Protection: IP66, IP67, IP69K

OTHER

Short Description: Enclosure, 89.4 mm x 85 mm x 64 mm, Metal, Grey

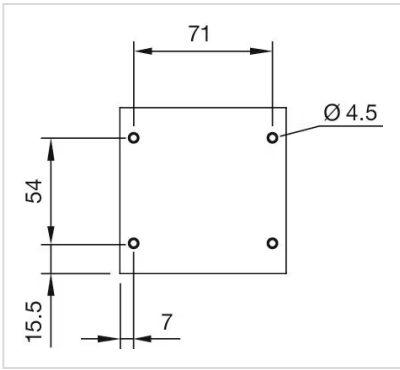
Titel Accessory: Enclosure

Dimension: 89.4 mm x 85 mm x 64 mm

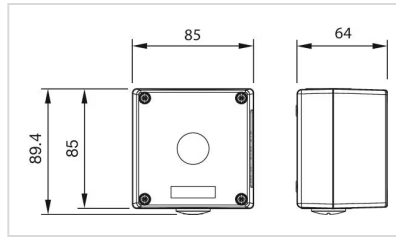
Material: Metal

Product attributes: 1 mounting hole Ø 22.3 mm, with protective shroud, top and bottom 1 x M20

Mounting cut-outs:



Dimension drawings:



for Part No. 45-410.2403, 45-430.2803, 45-420.2803