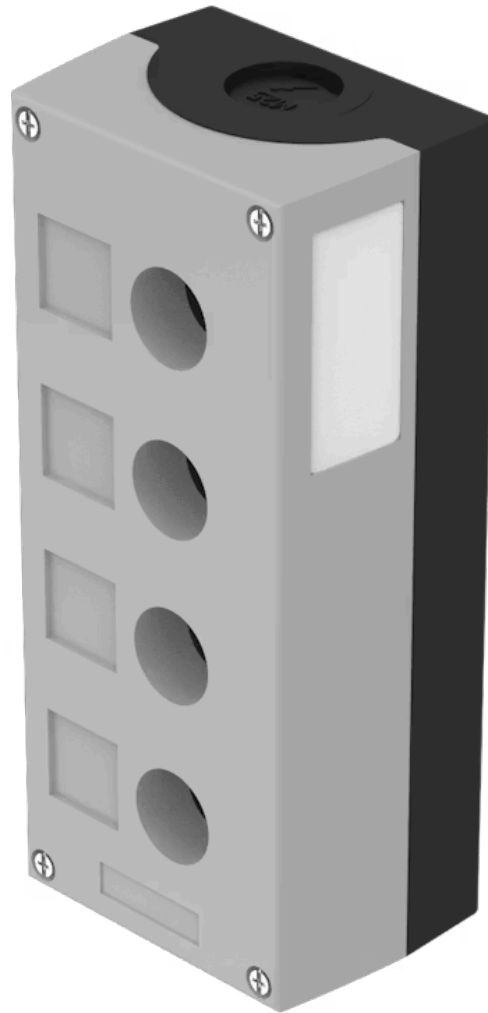


# Enclosure

45-460.1802

Distribution by  
Farnell



<https://farnell.eao.com/component/45-460.1802...>

Your product:

---



## 45-460.1802 Enclosure

*Loading . . .*

### FRONT

**Colour:** Grey

### ELECTRICAL CHARACTERISTICS

**Forward voltage:**

### MECHANICAL CHARACTERISTICS

**Weight:** 0.436 kg

### AMBIENT CONDITION

**IP Protection:** IP66, IP67, IP69K

### OTHER

**Short Description:** Enclosure, 194 mm x 85 mm x 64 mm, Plastic, Grey

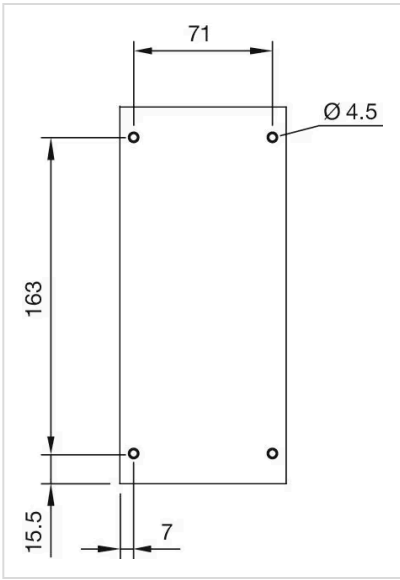
**Titel Accessory:** Enclosure

**Dimension:** 194 mm x 85 mm x 64 mm

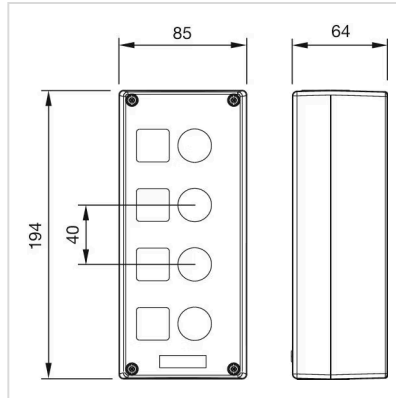
**Material:** Plastic

**Product attributes:** 4 mounting holes  $\varnothing$  22.3 mm, top and bottom 1 x M25

**Mounting cut-outs:**



**Dimension drawings:**



for Part No. 45-460.1802