

Protection cover

45-543.1K00

Distribution by
Farnell



<https://farnell.eao.com/component/45-543.1K00...>

Your product:



45-543.1K00 Protection cover

FRONT

Colour: Colourless

MECHANICAL CHARACTERISTICS

Weight: 0.011 kg

OTHER

Short Description: Protection cover, Ø 40 mm, Silicone, transparent, Colourless

Titel Accessory: Protection cover

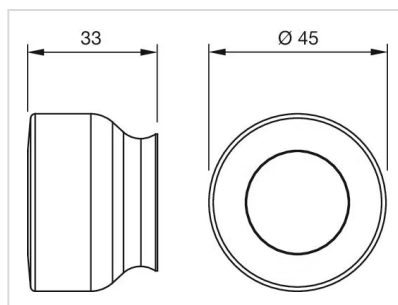
Dimension: Ø 40 mm

Material: Silicone

Product attributes: For Mushroom-head pushbutton Ø 40 mm

Optics: transparent

Dimension drawings:



for Part No. 45-543.1K00