

Protection cover

45-548.1K00

Distribution by
Farnell



<https://farnell.eao.com/component/45-548.1K00...>

Your product:



45-548.1K00 Protection cover

Loading ...

FRONT

Colour: Colourless

MECHANICAL CHARACTERISTICS

Weight: 0.014 kg

OTHER

Short Description: Protection cover, Silicone, transparent, Colourless

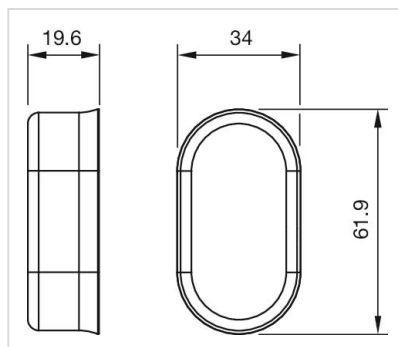
Titel Accessory: Protection cover

Material: Silicone

Product attributes: For double pushbutton

Optics: transparent

Dimension drawings:



for Part No. 45-548.1K00