

Legend frame

45-564.1110

Distribution by
Farnell



<https://farnell.eao.com/component/45-564.1110...>

Your product:



45-564.1110 Legend frame

FRONT

Colour: Black

MOUNTING

Mounting type: For sticking or snapping in place

MECHANICAL CHARACTERISTICS

Weight: 0.002 kg

OTHER

Short Description: Legend frame, 12.5 mm, Plastic, For sticking or snapping in place, Black

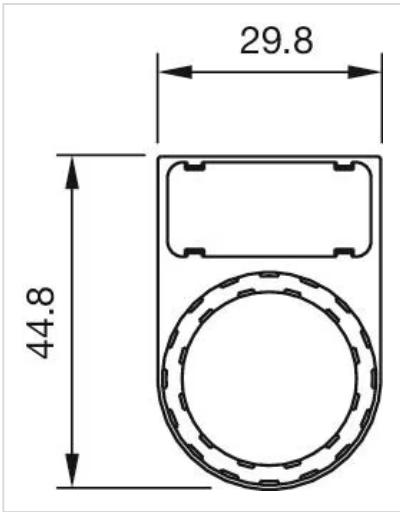
Title Accessory: Legend frame

Dimension: 12.5 mm

Material: Plastic

Product attributes: For legend 27 mm x 12.5 mm

Dimension drawings:



for Part No. 45-564.1110