

Legend frame

45-569.1112

Distribution by
Farnell



<https://farnell.eao.com/component/45-569.1112...>

Your product:



45-569.1112 Legend frame

Loading ...

FRONT

Colour: Black

MOUNTING

Mounting type: For sticking or snapping in place

ELECTRICAL CHARACTERISTICS

Forward voltage:

MECHANICAL CHARACTERISTICS

Weight: 0.003 kg

OTHER

Short Description: Legend frame, 27 mm, Plastic, For sticking or snapping in place, Black

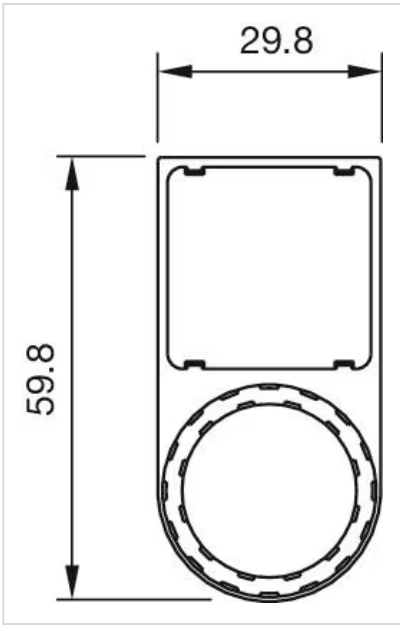
Titel Accessory: Legend frame

Dimension: 27 mm

Material: Plastic

Product attributes: For legend 27 mm x 27 mm

Dimension drawings:



for Part No. 45-569.1112