

# Actuator

51-  
050.005F

Distribution by  
Farnell



<https://farnell.eao.com/component/51-050.005F...>

Your product:

---



## 51-050.005F Actuator

*Loading ...*

### **MOUNTING**

<b>Design:</b>	Flush
<b>Mounting type:</b>	Panel mounting

### **ELECTRICAL CHARACTERISTICS**

<b>Switching voltage and switching current:</b>	100 mA at 42 VAC/VDC
<b>Electric strength:</b>	2500 VAC, 50 Hz, 1 min. between all terminals and earth, according to IEC 61058-1, part 15

### **MECHANICAL CHARACTERISTICS**

<b>Terminal:</b>	Soldering terminal
<b>Tightening torque:</b>	Fixing nut max. 0.5 Nm
<b>Weight:</b>	0.004 kg

### **AMBIENT CONDITION**

<b>IP front protection:</b>	IP65, according to DIN EN 60529
<b>Operating temperature:</b>	- 25 °C ... + 55 °C, mounted as a block, make sure the heat can escape freely
<b>Storage temperature:</b>	- 40 °C ... + 85 °C
<b>Shock resistance:</b>	15 g for 11 ms, as per DIN / EN 60512-4-3, DIN / EN 60068-2-27 (Single impacts, semi-sinusoidal)

### **CERTIFICATE**

**REACH:** REACH compliant

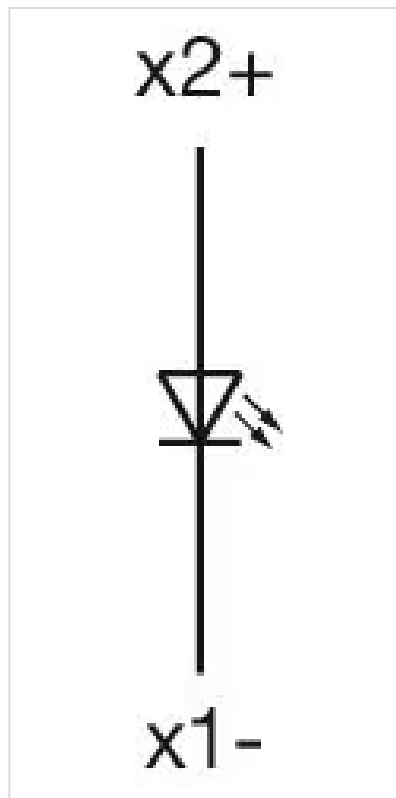
**RoHS:** RoHS compliant

**OTHER**

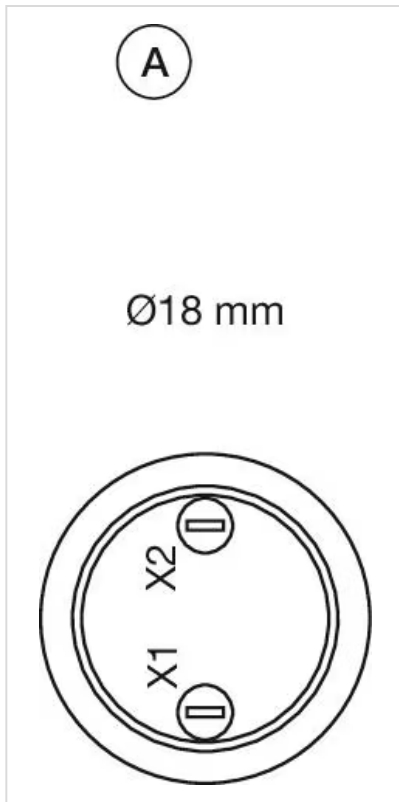
**Short Description:** Actuator, Soldering terminal, IP65, according to DIN EN 60529

**Housing colour:** Black

**Wiring diagrams:**

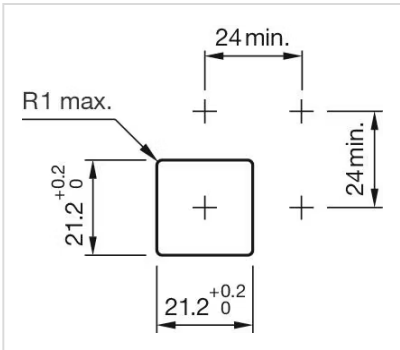
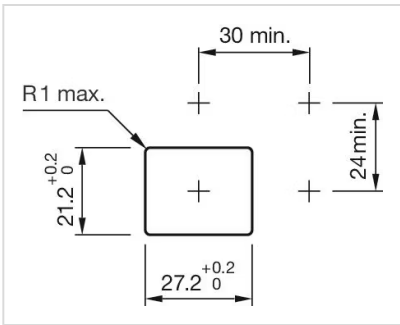
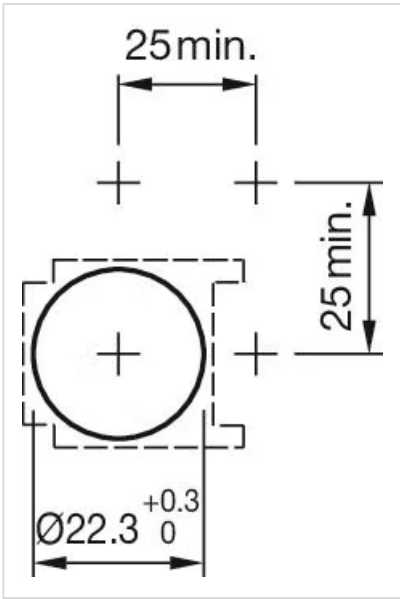


**Component layouts:**

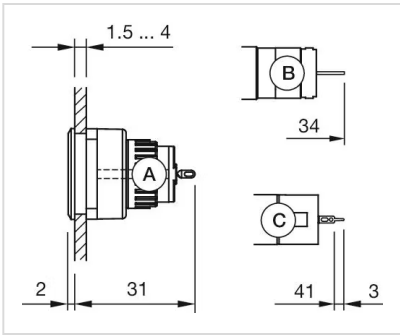


A = Terminals (rear side)

**Mounting cut-outs:**



Dimension drawings:



- A = Solder terminal
- B = Plug-in terminal 2.8 mm x 0.5 mm
- C = Universal terminal 2.0 mm x 0.5 mm