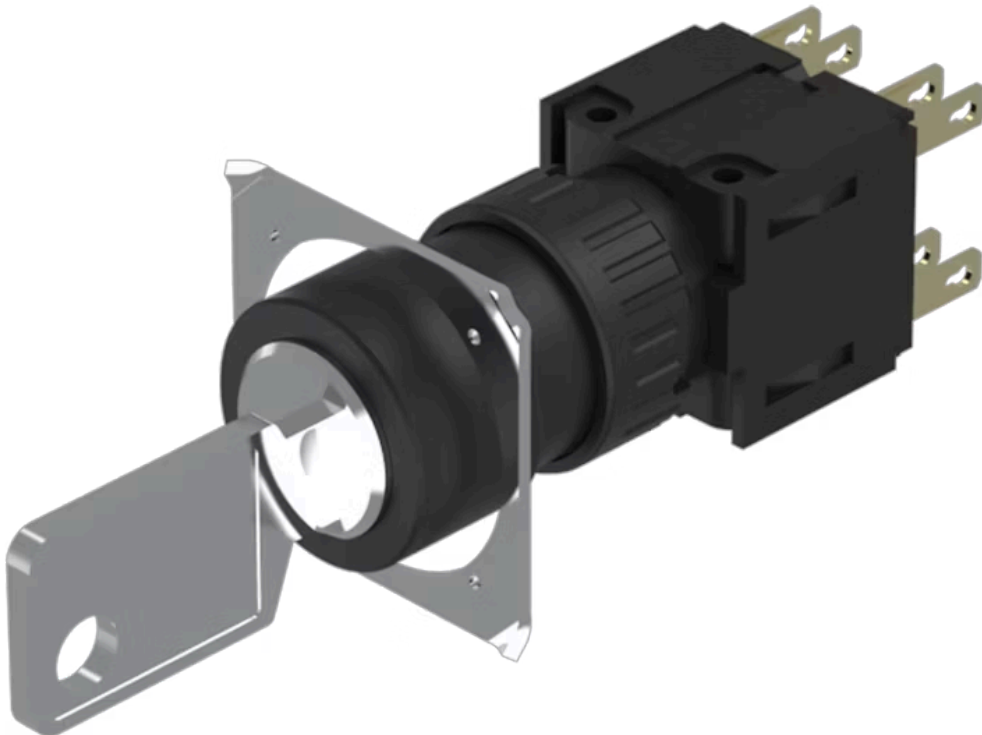


# Actuator

51-  
374.F22DF

Distribution by  
Farnell



<https://farnell.eao.com/component/51-374.F22D...>

Your product:

---



## 51-374.F22DF Actuator

*Loading . . .*

### FRONT

**Front form:** Round

### MOUNTING

**Design:** Flush

**Mounting cut-out:** Ø 25 mm

**Mounting type:** Panel mounting

### ELECTRICAL CHARACTERISTICS

**Switching voltage and switching current:** 250 VAC, 5 A ( $\cos\phi$  0.75)

**Contacts:** 2 NC / 2 NO

**Switching rating:** 250 V @ 5 A

**Electric strength:** 2500 VAC, 50 Hz, 1 min. between all terminals and earth, according to IEC 61058-1, part 15

**Electrostatic discharge (ESD):**  $\leq$  15 KV

**Protection class:** II

**Thermal current I<sub>th</sub>:** 5 A, according to EN / IEC 60947-5-1

### MECHANICAL CHARACTERISTICS

**Terminal:** Plug-in terminal, 2.8 x 0.5 mm

**Contact material:** Gold

**Switching action:** Momentary - Rest (a) - Momentary

**Switching system:** Snap-action switching element

**Switching system:**

Self-cleaning, double-break snap action switching system, 2 normally closed and 2 normally open contact per element.

<b>Switching positions:</b>	3 positions
<b>Switching angle:</b>	42° left / 42° right
<b>Mechanical lifetime:</b>	50 000 cycles of operation
<b>Tightening torque:</b>	Fixing nut max. 0.5 Nm
<b>Wire cross section:</b>	Max. wire cross-section 2 wires with 1 mm Max. wire cross-section of stranded cable 2 x 0.75 mm <sup>2</sup>
<b>Weight:</b>	0.022 kg

### **AMBIENT CONDITION**

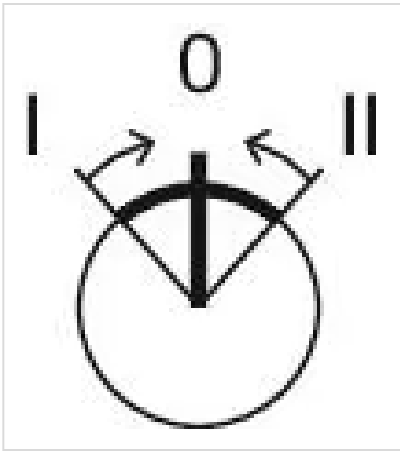
<b>IP front protection:</b>	IP65, according to DIN EN 60529
<b>Operating temperature:</b>	- 25 °C ... + 55 °C
<b>Storage temperature:</b>	- 40 °C ... + 85 °C

### **CERTIFICATE**

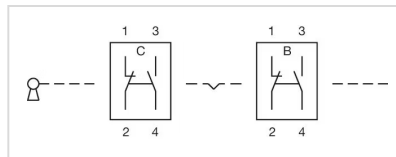
<b>Approbations:</b>	CB (IEC 61058-1), CQC, CSA, DNV, ENEC (EN 61058-1), UL
<b>Conformities:</b>	CE, UKCA, 2011 / 65 / EC (RoHS), 2014 / 30 / EU (EMC), 2014 / 35 / EU (LVD)
<b>REACH:</b>	REACH compliant
<b>RoHS:</b>	RoHS compliant

### **OTHER**

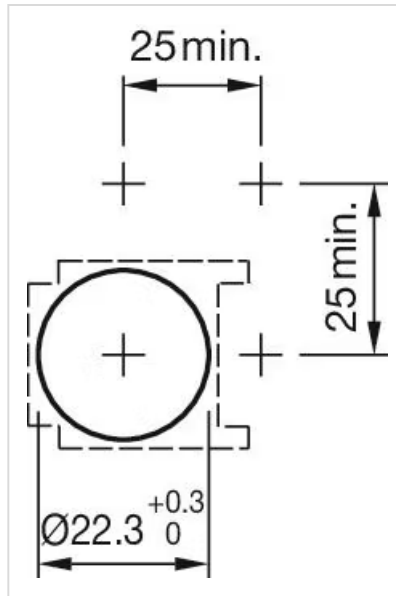
<b>Short Description:</b>	Actuator, Ø 25 mm, Round, 2 NC / 2 NO, Momentary - Rest (a) - Momentary, Plug-in terminal, 2.8 x 0.5 mm, IP65, according to DIN EN 60529
<b>Housing colour:</b>	Black
<b>Hints:</b>	Standard lock: DOM 311
<b>max. number of switching elements:</b>	1
<b>Switching positions:</b>	



**Wiring diagrams:**



**Mounting cut-outs:**



**Dimension drawings:**

