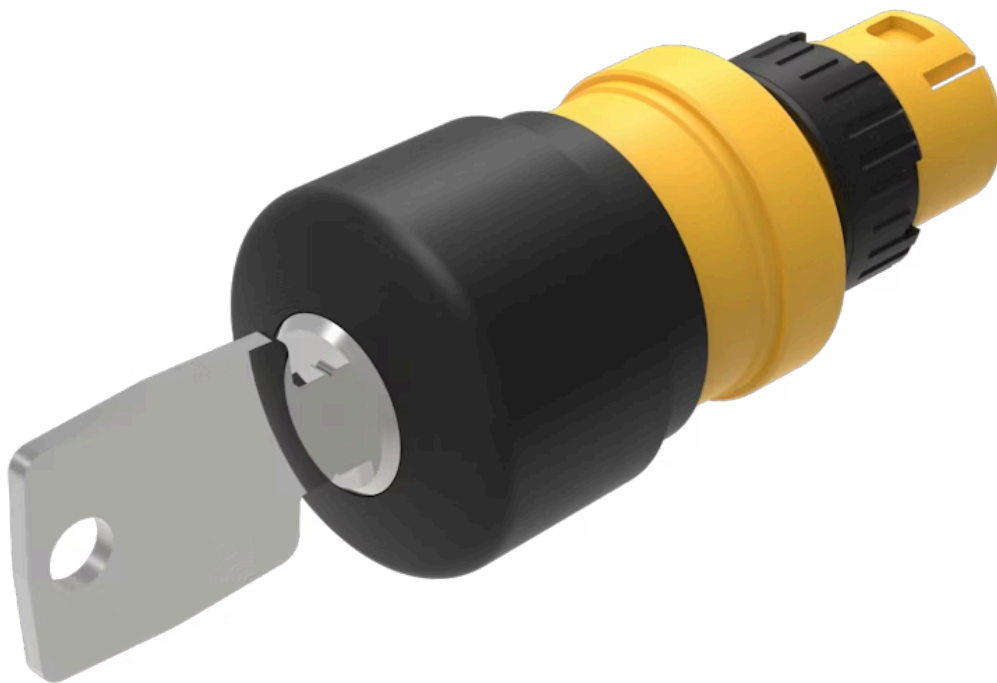


Actuator

61-
5441.0/KA

Distribution by
Farnell



<https://farnell.eao.com/component/61-5441.0/K...>

Your product:



61-5441.0/KA Actuator

MOUNTING

Mounting type: Panel mounting

OPERATING-/INDICATION PART

Lens colour: Black

Lens material: Plastic

Lens illumination: Non illuminated

Lens shape: Mushroom-head

Lens optics: opaque

MECHANICAL CHARACTERISTICS

Switching action: Maintained

Release type: Key release to unlock

Tightening torque: Max. 0.5 Nm

Weight: 0.033 kg

AMBIENT CONDITION

Operating temperature: – 25 °C ... + 55 °C

CERTIFICATE

REACH: REACH compliant

RoHS: RoHS compliant

OTHER

Short Description: Actuator, Mushroom-head, Non illuminated, Black, Plastic, opaque, Maintained, Key release to unlock

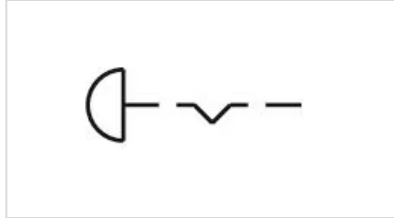
Housing colour: Yellow

Housing material: Plastic

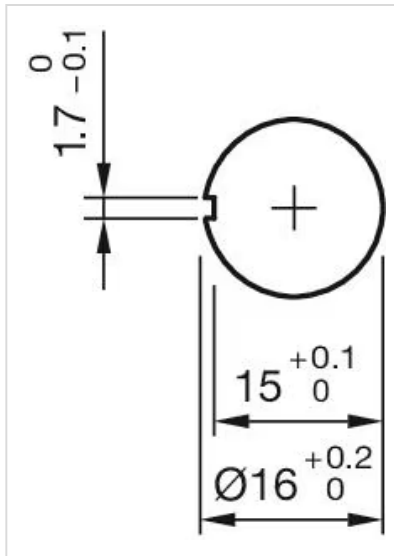
Marking: -

Product attributes: Key to unlock clockwise

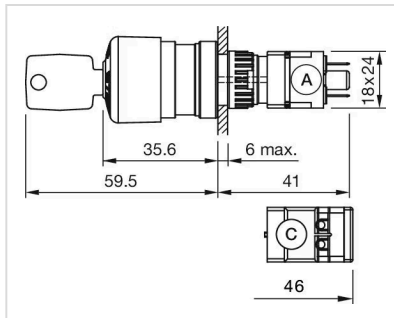
Wiring diagrams:



Mounting cut-outs:



Dimension drawings:



A = Plug-in terminal 2.8 mm x 0.5 mm
C = Screw terminal