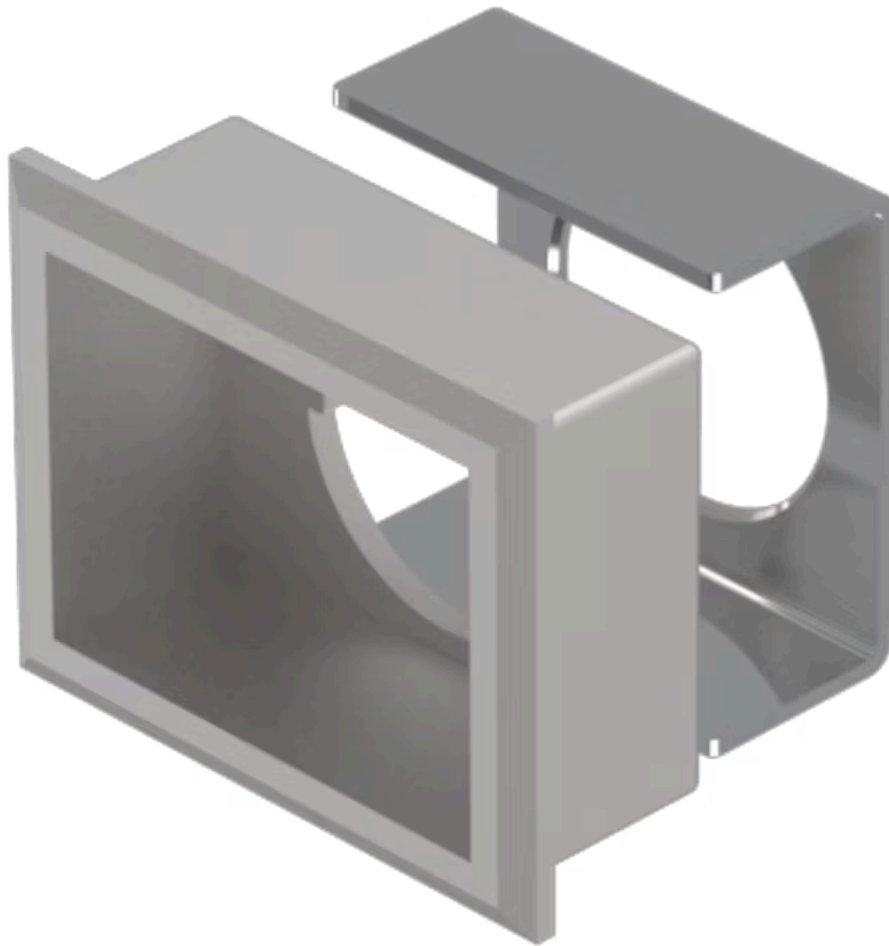


# Front bezel set

61-9931.4

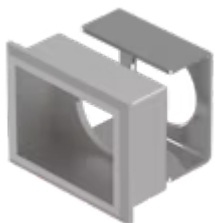
Distribution by  
Farnell



<https://farnell.eao.com/component/61-9931.4/e...>

Your product:

---



## 61-9931.4 Front bezel set

*Loading ...*

### FRONT

<b>Front dimension:</b>	30 mm x 24 mm
<b>Front form:</b>	Rectangular
<b>Front bezel colour:</b>	Silver
<b>Front bezel material:</b>	Plastic, according to UL 94 V0

### MOUNTING

<b>Mounting cut-out:</b>	27 mm x 21 mm
<b>Mounting type:</b>	Panel mounting

### MECHANICAL CHARACTERISTICS

<b>Weight:</b>	0.002 kg
----------------	----------

### CERTIFICATE

<b>REACH:</b>	REACH compliant
<b>RoHS:</b>	RoHS compliant

### OTHER

<b>Short Description:</b>	Front bezel set, 30 mm x 24 mm, 24 mm x 18 mm, Silver, Plastic, according to UL 94 V0
<b>Dimension:</b>	30 mm x 24 mm
<b>Internal size:</b>	24 mm x 18 mm
<b>Product attributes:</b>	For indicator illuminated pushbutton and keylock switch
<b>Mounting cut-outs:</b>	

