

Actuator

704.006.618

Distribution by
Farnell



<https://farnell.eao.com/component/704.006.618...>

Your product:



704.006.618 Actuator

FRONT

Front dimension:	Ø 35 mm
Front form:	Round
Front bezel colour:	Nature
Front bezel material:	Aluminium

MOUNTING

Design:	Flush
Mounting cut-out:	Ø 30.5 mm
Mounting type:	Panel mounting

OPERATING-/INDICATION PART

Lens colour:	Blue
Lens material:	Plastic
Lens shape:	Flush
Lens optics:	transparent
Marking plate illumination:	illuminative

ELECTRICAL CHARACTERISTICS

Standards:	The switches comply with the "Standards for low-voltage switching devices" DIN EN 60947-1
-------------------	---

MECHANICAL CHARACTERISTICS

Terminal:	Screw terminal
------------------	----------------

Weight: 0.045 kg

AMBIENT CONDITION

IP Protection: IP65 front side

Operating temperature: - 40 °C ... + 55 °C

Storage temperature: - 40 °C ... + 85 °C

CERTIFICATE

REACH: REACH compliant

RoHS: RoHS compliant

OTHER

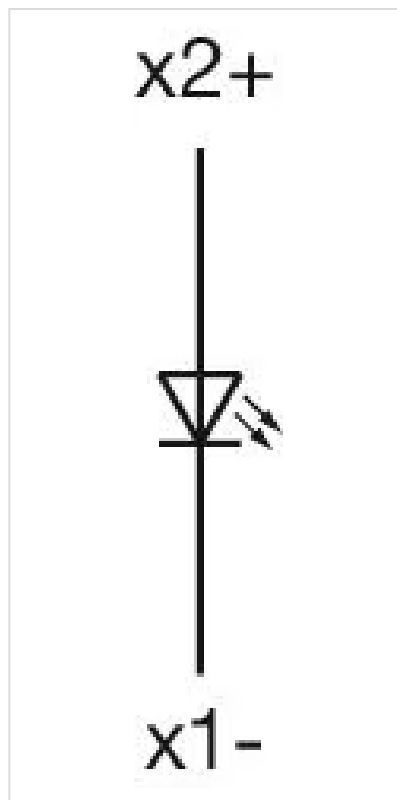
Short Description: Actuator, Ø 30.5 mm, Ø 35 mm, Flush, Blue, Plastic, transparent, Round, Nature, Aluminium, anodised, Screw terminal

Housing colour: Grey

Housing material: Plastic

Hints: The colour of anodised aluminium parts can vary due to technical production reasons

Wiring diagrams:

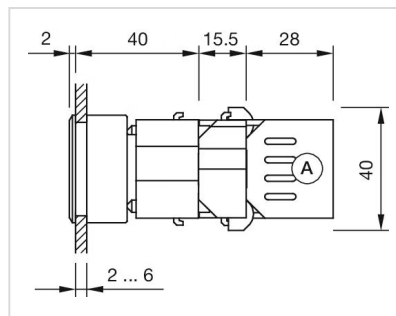


Mounting cut-outs:



A = Screw terminal

Dimension drawings:



A = Screw terminal

