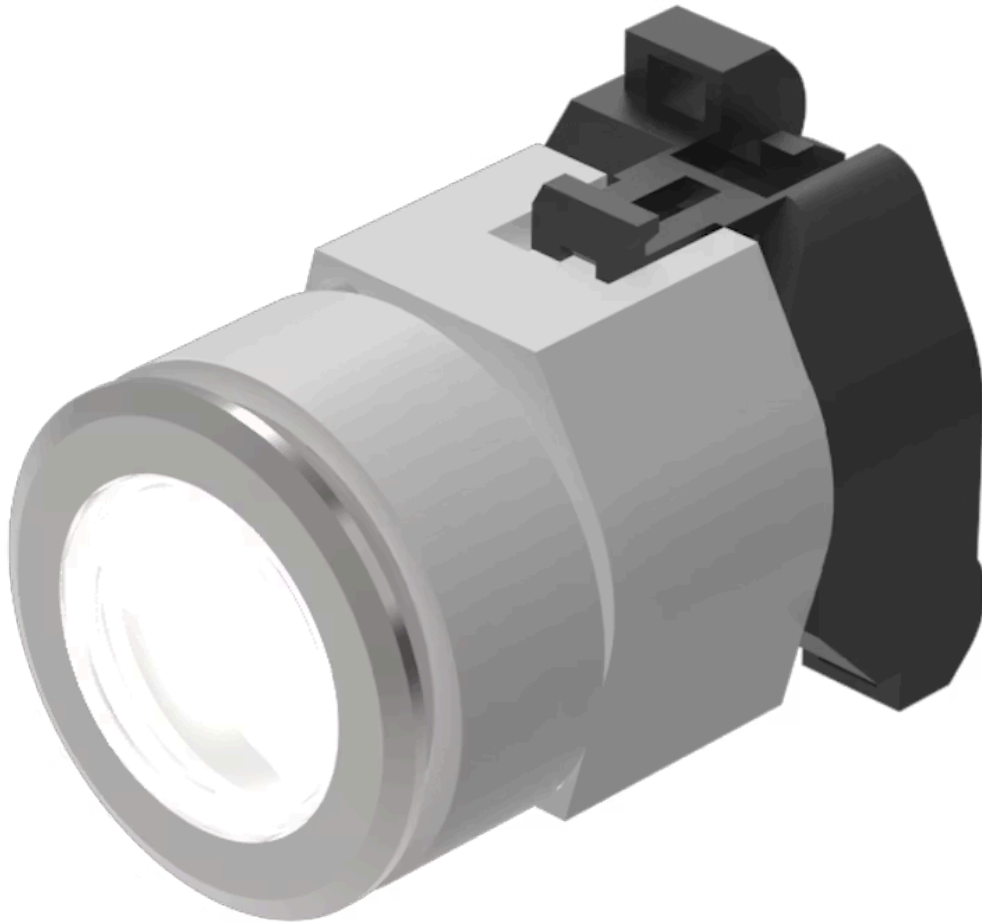


# Actuator

704.006.718

Distribution by  
Farnell



<https://farnell.eao.com/component/704.006.718...>

Your product:

---



## 704.006.718 Actuator

*Loading ...*

### FRONT

|                              |           |
|------------------------------|-----------|
| <b>Front dimension:</b>      | Ø 35 mm   |
| <b>Front form:</b>           | Round     |
| <b>Front bezel colour:</b>   | Nature    |
| <b>Front bezel material:</b> | Aluminium |

### MOUNTING

|                          |                |
|--------------------------|----------------|
| <b>Design:</b>           | Flush          |
| <b>Mounting cut-out:</b> | Ø 30.5 mm      |
| <b>Mounting type:</b>    | Panel mounting |

### OPERATING-/INDICATION PART

|                                    |              |
|------------------------------------|--------------|
| <b>Lens colour:</b>                | Colourless   |
| <b>Lens material:</b>              | Plastic      |
| <b>Lens shape:</b>                 | Flush        |
| <b>Lens optics:</b>                | transparent  |
| <b>Marking plate illumination:</b> | illuminative |

### ELECTRICAL CHARACTERISTICS

|                   |   |
|-------------------|---|
| <b>Standards:</b> | The switches comply with the "Standards for low-voltage switching devices" DIN EN 60947-1 |
|-------------------|---|

### MECHANICAL CHARACTERISTICS

|                  |                |
|------------------|----------------|
| <b>Terminal:</b> | Screw terminal |
|------------------|----------------|

**Weight:** 0.045 kg

### AMBIENT CONDITION

**IP Protection:** IP65 front side

**Operating temperature:** - 40 °C ... + 55 °C

**Storage temperature:** - 40 °C ... + 85 °C

### CERTIFICATE

**REACH:** REACH compliant

**RoHS:** RoHS compliant

### OTHER

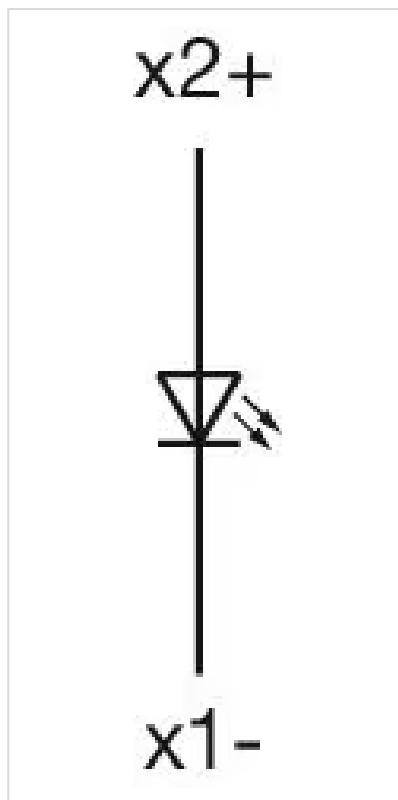
**Short Description:** Actuator, Ø 30.5 mm, Ø 35 mm, Flush, Colourless, Plastic, transparent, Round, Nature, Aluminium, anodised, Screw terminal

**Housing colour:** Grey

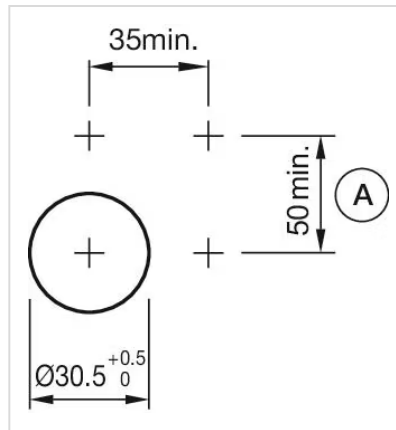
**Housing material:** Plastic

**Hints:** The colour of anodised aluminium parts can vary due to technical production reasons

**Wiring diagrams:**

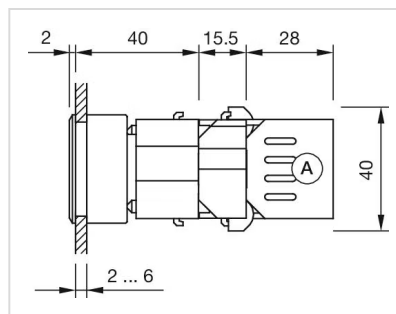
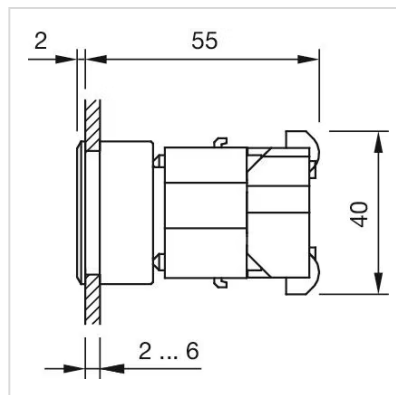


**Mounting cut-outs:**



A = Screw terminal

**Dimension drawings:**



A = Screw terminal