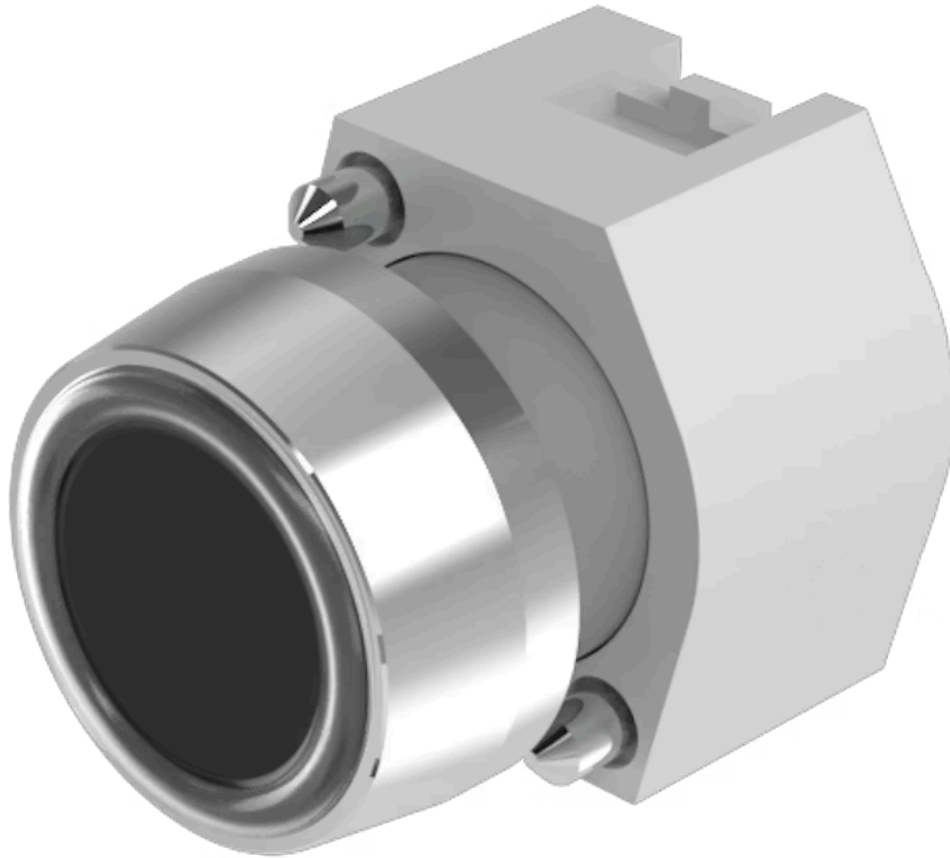


Actuator

704.013.0

Distribution by
Farnell



<https://farnell.eao.com/component/704.013.0/e...>

Your product:



704.013.0 Actuator

Loading ..

FRONT

Front dimension:	Ø 29 mm
Front form:	Round
Front bezel colour:	Nature
Front bezel material:	Aluminium

MOUNTING

Design:	Raised
Mounting type:	Panel mounting

OPERATING-/INDICATION PART

Lens colour:	Black
Lens material:	Plastic
Lens illumination:	Non illuminated
Lens shape:	Flush
Lens optics:	opaque

ELECTRICAL CHARACTERISTICS

Standards:	The switches comply with the "Standards for low-voltage switching devices" DIN EN 60947-1
-------------------	---

MECHANICAL CHARACTERISTICS

Switching action:	Momentary
Mechanical lifetime:	≤3 Mil. cycles of operation

Operating force: 8 N
Operating Travel: ca. 5.8 mm ± 0.2 mm
Weight: 0.024 kg

AMBIENT CONDITION

IP Protection: IP65 front side
Operating temperature: – 40 °C ... + 55 °C
Storage temperature: – 40 °C ... + 85 °C

CERTIFICATE

REACH: REACH compliant
RoHS: RoHS compliant

OTHER

Short Description: Actuator, Ø 29 mm, Flush, Non illuminated, Black, Plastic, opaque, Round, Nature, Aluminium, anodised, Momentary

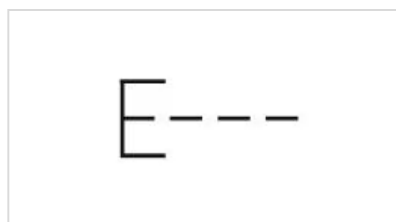
Housing colour: Grey

Housing material: Plastic

Hints: Frontring with protective cover to be mounted with a torque of 0.4 Nm onto actuator
Max. 3 switching elements can be clipped on

max. number of switching elements: 3

Wiring diagrams:



Mounting cut-outs:



- A = Screw terminal
- B = Push-in terminal (PIT)
- C = Plug-in terminal 6.3 mm x 0.8 mm
- D = Double plug-in terminal 6.3 mm x 0.8 mm

Dimension drawings:



A = Screw terminal