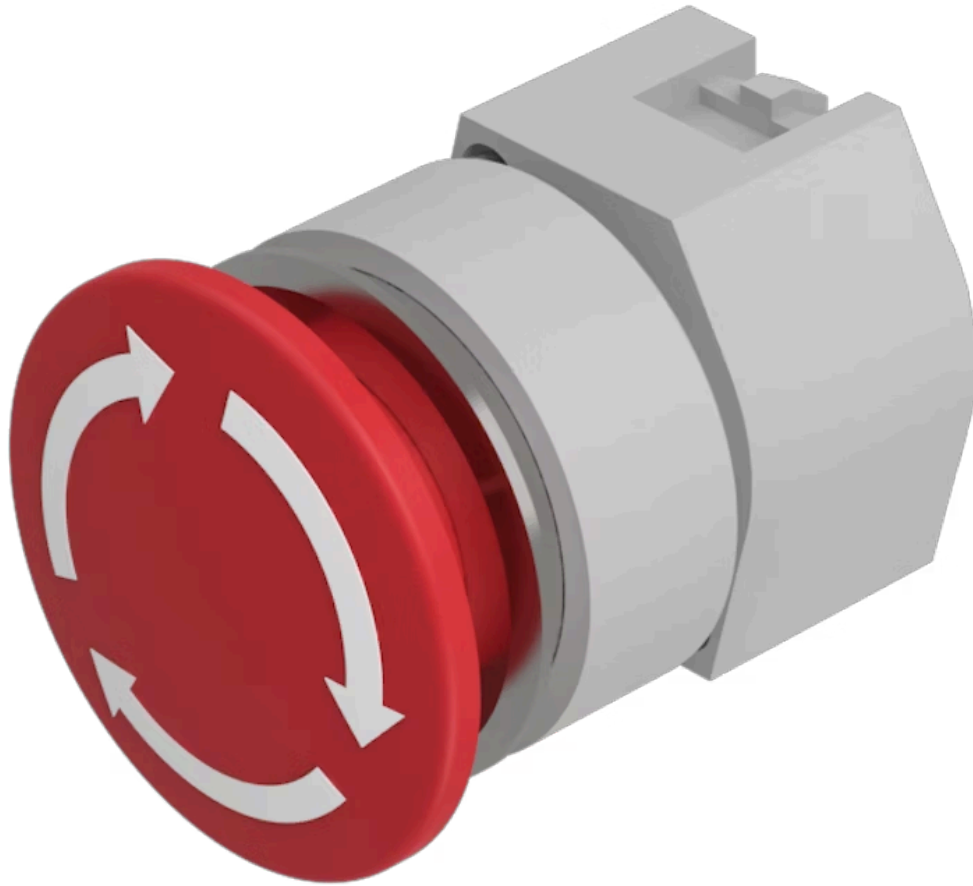


# Actuator

704.075.218

Distribution by  
Farnell



<https://farnell.eao.com/p/704.075.218>

Your product:

---



## 704.075.218 Actuator

### FRONT

|                              |           |
|------------------------------|-----------|
| <b>Front dimension:</b>      | Ø 40 mm   |
| <b>Front form:</b>           | Round     |
| <b>Front bezel colour:</b>   | Nature    |
| <b>Front bezel material:</b> | Aluminium |

### MOUNTING

|                       |                |
|-----------------------|----------------|
| <b>Design:</b>        | Flush          |
| <b>Mounting type:</b> | Panel mounting |

### OPERATING-/INDICATION PART

|                           |                 |
|---------------------------|-----------------|
| <b>Lens colour:</b>       | Red             |
| <b>Lens material:</b>     | Plastic         |
| <b>Lens illumination:</b> | Non illuminated |
| <b>Lens shape:</b>        | Mushroom-head   |
| <b>Lens optics:</b>       | opaque          |

### ELECTRICAL CHARACTERISTICS

|                          |   |
|--------------------------|---|
| <b>Switching rating:</b> |   |
| <b>Standards:</b>        | The switches comply with the "Standards for low-voltage switching devices" DIN EN 60947-1 |

### MECHANICAL CHARACTERISTIC

|                          |            |
|--------------------------|------------|
| <b>Switching action:</b> | Maintained |
|--------------------------|------------|

**Mechanical lifetime:** ≤50 000 cycles of operation  
**Operating force:** 8 N  
**Operating Travel:** ca. 5.8 mm ± 0.2 mm  
**Weight:** 0.048 kg

### AMBIENT CONDITION

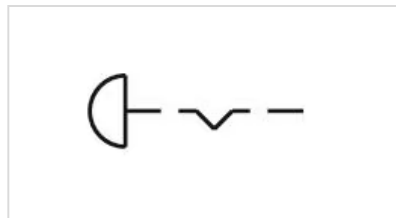
**IP Protection:** IP65 front side  
**Operating temperature:** – 40 °C ... + 55 °C  
**Storage temperature:** – 40 °C ... + 85 °C

### CERTIFICATE

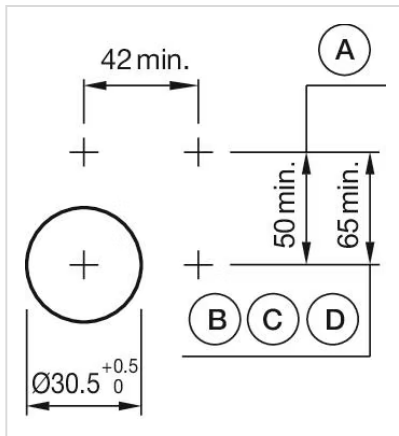
**REACH:** REACH compliant  
**RoHS:** RoHS compliant

### OTHER

**Short Description:** Actuator, Ø 40 mm, Mushroom-head, Non illuminated, Red, Plastic, opaque, Round, Nature, Aluminium, anodised, Maintained  
**Marking:** Arrows  
**Product attributes:** Twist to unlock clockwise  
**max. number of switching elements:** 3  
**Wiring diagrams:**

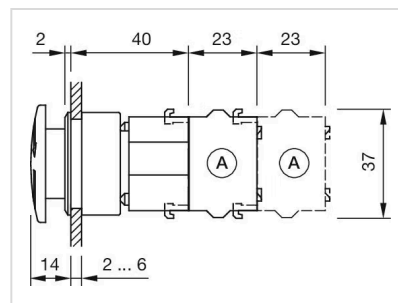


**Mounting cut-outs:**



A = Screw terminal  
 B = Push-in terminal (PIT)  
 C = Plug-in terminal 6.3 mm x 0.8 mm  
 D = Double plug-in terminal 6.3 mm x 0.8 mm

**Dimension drawings:**



A = Screw terminal