

Actuator

704.101.0KN

Distribution by
Farnell



<https://farnell.eao.com/component/704.101.0KN...>

Your product:



704.101.0KN Actuator

FRONT

| | |
|------------------------------|-----------|
| Front dimension: | Ø 29 mm |
| Front form: | Round |
| Front bezel colour: | Nature |
| Front bezel material: | Aluminium |

MOUNTING

| | |
|-----------------------|----------------|
| Design: | Raised |
| Mounting type: | Panel mounting |

OPERATING-/INDICATION PART

| | |
|--------------------------|---------|
| Lever colour: | Black |
| Lever bar colour: | Black |
| Lever material: | plastic |
| Lever shape: | long |

MECHANICAL CHARACTERISTICS

| | |
|----------------|----------|
| Weight: | 0.027 kg |
|----------------|----------|

CERTIFICATE

| | |
|---------------|-----------------|
| REACH: | REACH compliant |
| RoHS: | RoHS compliant |

OTHER

Short Description:

Actuator, Ø 29 mm, non illuminative, Black, long, Round, Nature, Aluminium, anodised

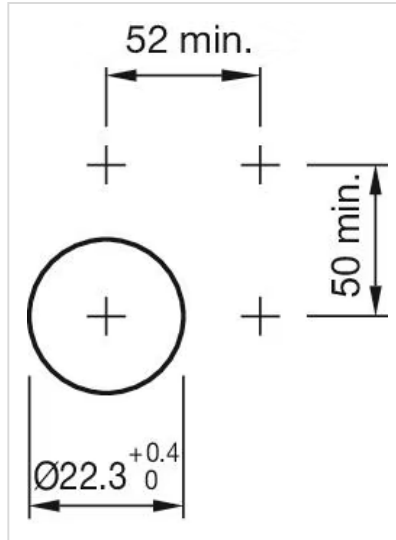
Hints:

The colour of anodised aluminium parts can vary due to technical production reasons

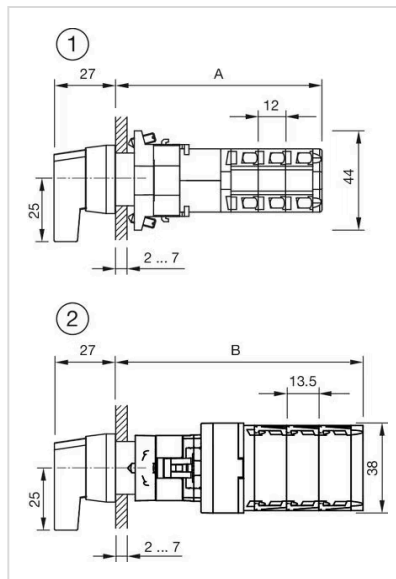
max. number of switching elements:

1

Mounting cut-outs:



Dimension drawings:



1 = Kraus & Naimer switching element
A = (Number of stages x 12) + 54.5 mm
2 = Santon switching element
B = (Number of stages x 13.5) + 54.5 mm