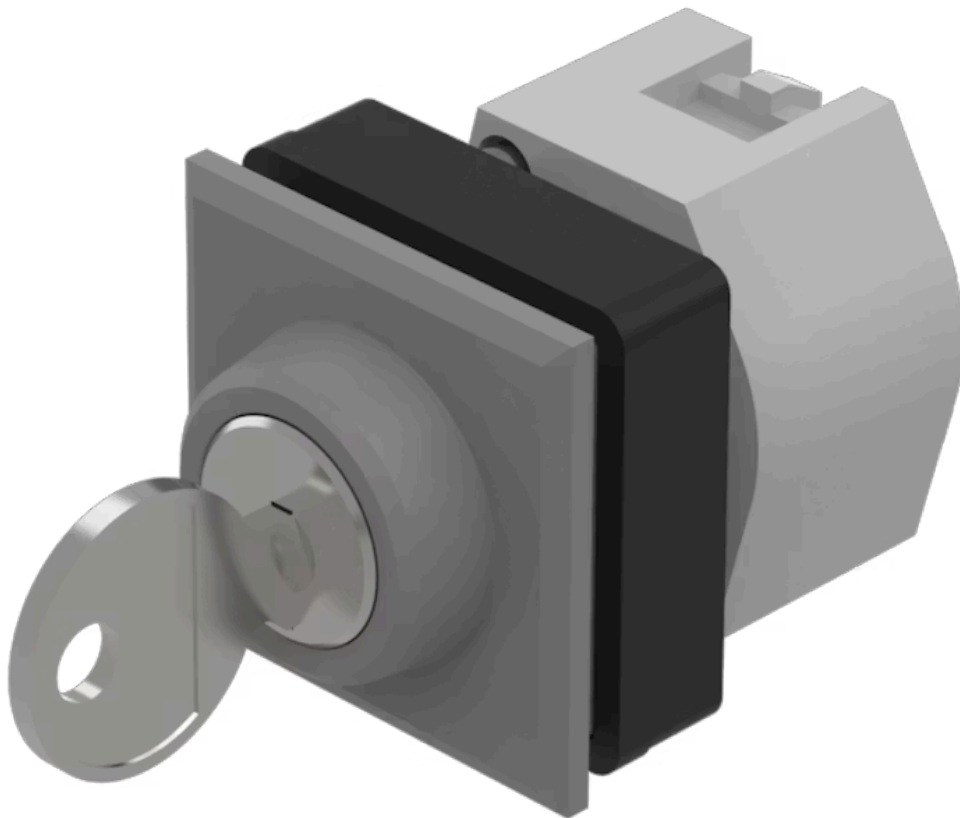


# Actuator

704.342.008

Distribution by  
Farnell



<https://farnell.eao.com/component/704.342.008...>

Your product:

---



## 704.342.008 Actuator

### FRONT

<b>Front dimension:</b>	35 mm x 35 mm
<b>Front form:</b>	Square
<b>Front bezel colour:</b>	Silver
<b>Front bezel material:</b>	Plastic

### MOUNTING

<b>Design:</b>	Flush
<b>Mounting cut-out:</b>	30 mm x 30 mm
<b>Mounting type:</b>	Panel mounting

### ELECTRICAL CHARACTERISTICS

<b>Standards:</b>	The switches comply with the "Standards for low-voltage switching devices" DIN EN 60947-1
-------------------	-------------------------------------------------------------------------------------------

### MECHANICAL CHARACTERISTICS

<b>Switching action:</b>	Rest (a) - Maintained (a)
<b>Switching positions:</b>	2 positions
<b>Switching angle:</b>	90° right / -45° ... +45°
<b>Mechanical lifetime:</b>	≤50 000 cycles of operation
<b>Weight:</b>	0.073 kg

### AMBIENT CONDITION

<b>IP Protection:</b>	IP65 front side
-----------------------	-----------------

**Operating temperature:** - 40 °C ... + 55 °C

**Storage temperature:** - 40 °C ... + 85 °C

**CERTIFICATE**

**REACH:** REACH compliant

**RoHS:** RoHS compliant

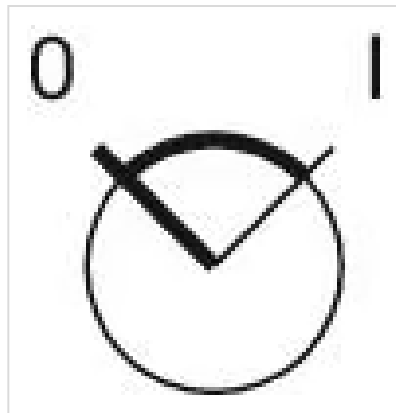
**OTHER**

**Short Description:** Actuator, 30 mm x 30 mm, 35 mm x 35 mm, Square, Silver, Plastic, Rest (a) - Maintained (a)

**Hints:** The standard lock Ronis 251  
Further lock numbers on request  
Max. 3 switching elements can be clipped on

**max. number of switching elements:** 3

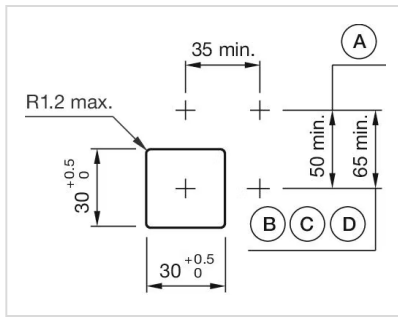
**Switching positions:**



**Wiring diagrams:**

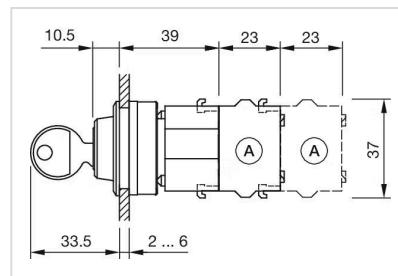


**Mounting cut-outs:**



- A = Screw terminal
- B = Push-in terminal (PIT)
- C = Plug-in terminal 6.3 mm x 0.8 mm
- D = Double plug-in terminal 6.3 mm x 0.8 mm

**Dimension drawings:**



A = Screw terminal