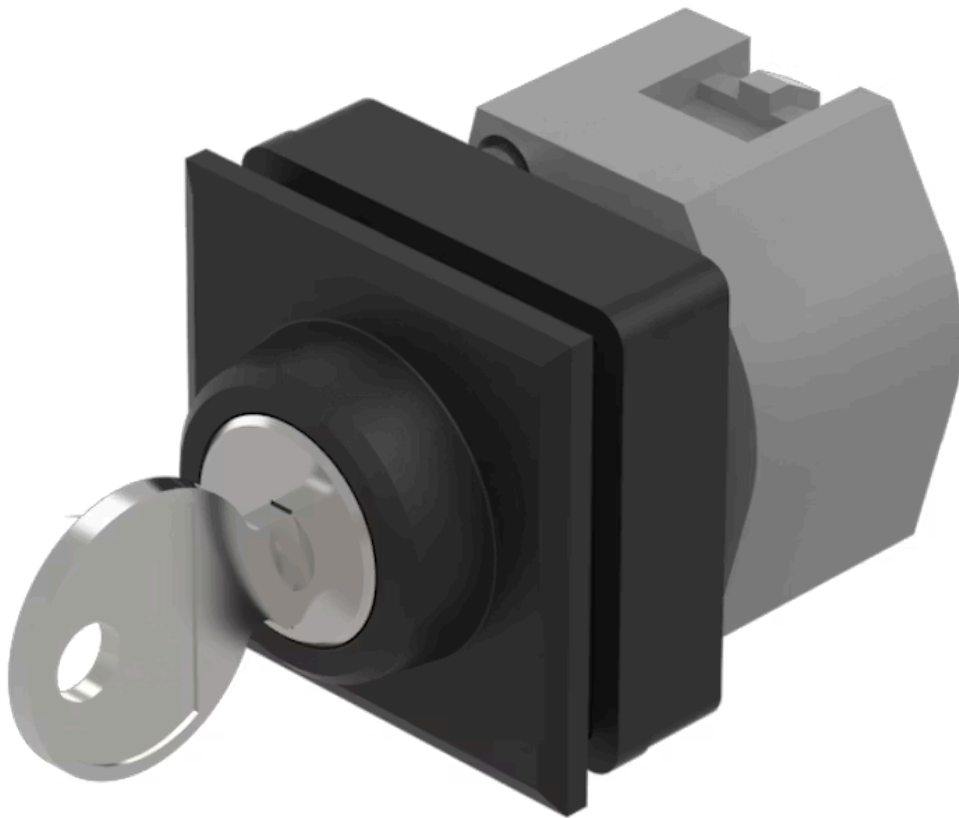


Actuator

704.343.000

Distribution by
Farnell



<https://farnell.eao.com/component/704.343.000...>

Your product:



704.343.000 Actuator

FRONT

Front dimension:	35 mm x 35 mm
Front form:	Square
Front bezel colour:	Black
Front bezel material:	Plastic

MOUNTING

Design:	Flush
Mounting cut-out:	30 mm x 30 mm
Mounting type:	Panel mounting

ELECTRICAL CHARACTERISTICS

Standards:	The switches comply with the "Standards for low-voltage switching devices" DIN EN 60947-1
-------------------	---

MECHANICAL CHARACTERISTICS

Switching action:	Rest (a) - Momentary
Switching positions:	2 positions
Switching angle:	42° right
Mechanical lifetime:	≤50 000 cycles of operation
Weight:	0.072 kg

AMBIENT CONDITION

IP Protection:	IP65 front side
-----------------------	-----------------

Operating temperature: - 40 °C ... + 55 °C

Storage temperature: - 40 °C ... + 85 °C

CERTIFICATE

REACH: REACH compliant

RoHS: RoHS compliant

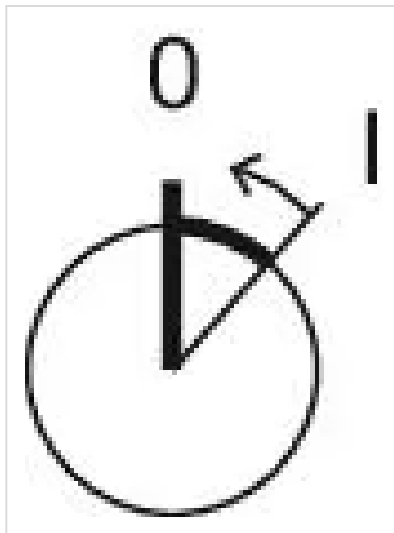
OTHER

Short Description: Actuator, 30 mm x 30 mm, 35 mm x 35 mm, Square, Black, Plastic, Rest (a) - Momentary

Hints: The standard lock Ronis 251
Further lock numbers on request
Max. 3 switching elements can be clipped on

max. number of switching elements: 3

Switching positions:



Wiring diagrams:



Mounting cut-outs:



- A = Screw terminal
- B = Push-in terminal (PIT)
- C = Plug-in terminal 6.3 mm x 0.8 mm
- D = Double plug-in terminal 6.3 mm x 0.8 mm

Dimension drawings:



- A = Screw terminal