

# Actuator

704.743.8

Distribution by  
Farnell



<https://farnell.eao.com/component/704.743.8/e...>

Your product:

---



## 704.743.8 Actuator

### FRONT

<b>Front dimension:</b>	35 mm x 35 mm
<b>Front form:</b>	Square
<b>Front bezel colour:</b>	Silver
<b>Front bezel material:</b>	Plastic

### MOUNTING

<b>Mounting cut-out:</b>	30 mm x 30 mm
<b>Mounting type:</b>	Panel mounting

### ELECTRICAL CHARACTERISTICS

<b>Standards:</b>	The switches comply with the "Standards for low-voltage switching devices" DIN EN 60947-1
-------------------	---

### MECHANICAL CHARACTERISTICS

<b>Weight:</b>	0.018 kg
----------------	----------

### AMBIENT CONDITION

<b>IP Protection:</b>	IP65 front side
<b>Operating temperature:</b>	- 40 °C ... + 55 °C
<b>Storage temperature:</b>	- 40 °C ... + 85 °C

### CERTIFICATE

<b>REACH:</b>	REACH compliant
---------------	-----------------

**RoHS:**

RoHS compliant

**OTHER**

**Short Description:**

Actuator, 30 mm x 30 mm, 35 mm x 35 mm, Square, Silver, Plastic

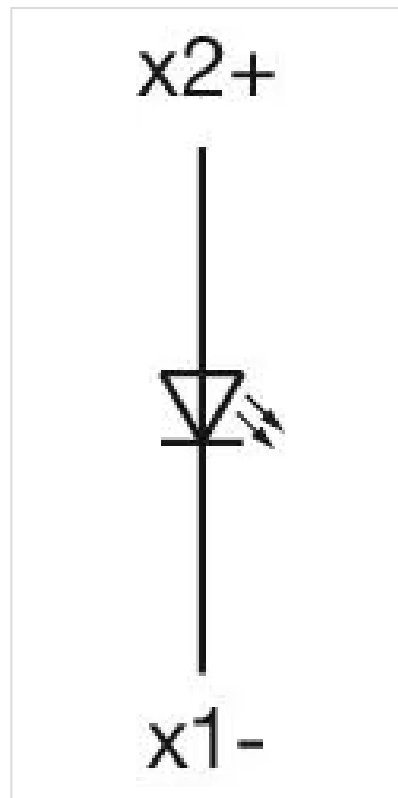
**Housing colour:**

Black

**Housing material:**

Plastic

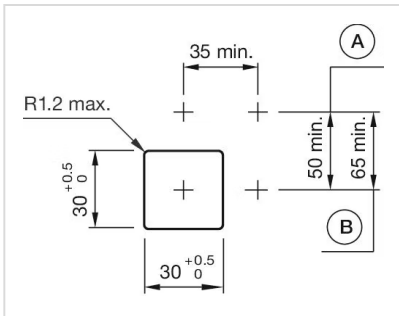
**Wiring diagrams:**



**Mounting cut-outs:**

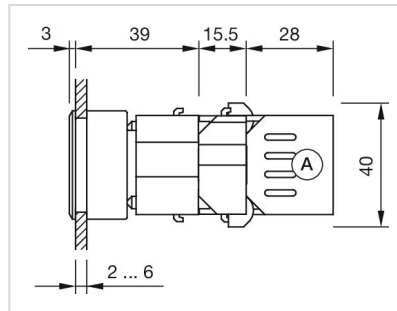


- A = Screw terminal
- B = Push-in terminal (PIT)
- C = Plug-in terminal 6.3 mm x 0.8 mm
- D = Double plug-in terminal 6.3 mm x 0.8 mm

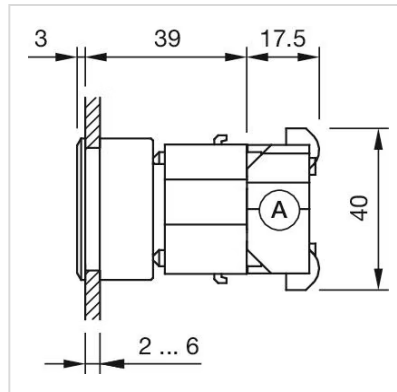


- A = Screw terminal
- B = Push-in terminal (PIT)

**Dimension drawings:**



A = Screw terminal



A = Screw terminal