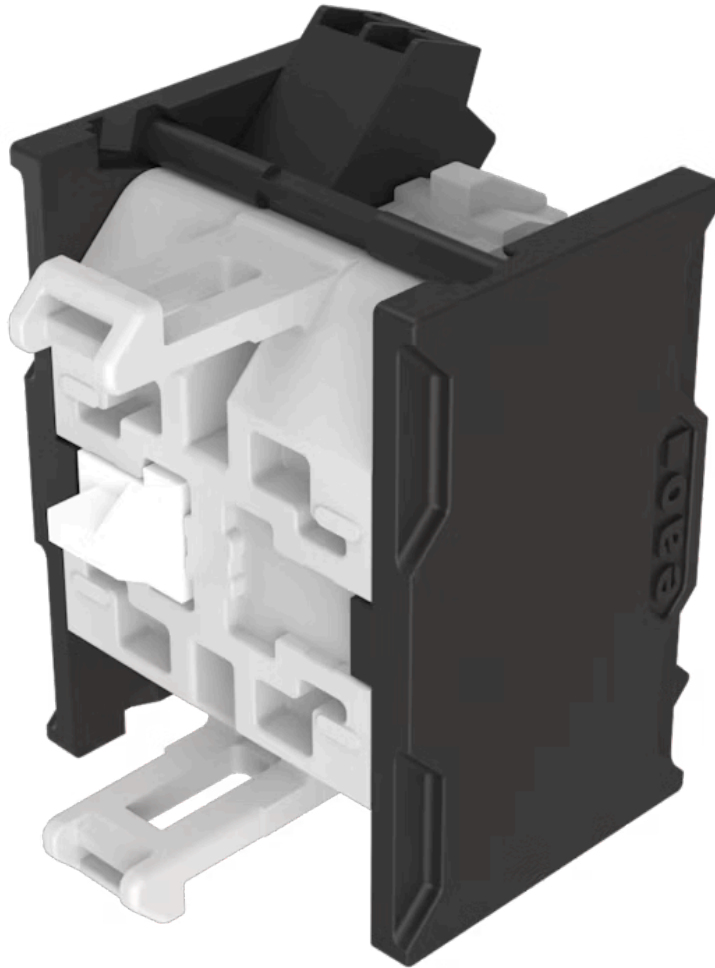


Switching element - New Version

704.907.1-1

Distribution by
Farnell



<https://farnell.eao.com/component/704.907.1-1...>

Your product:



704.907.1-1 Switching element - New Version

Loading ...

ELECTRICAL CHARACTERISTICS

Switching voltage and switching current:	as per DIN EN IEC 60947-5-1		
	voltage	DC13	AC15
	24 V	2,5 A	
	60 V	0,8 A	
	110 V	0,6 A	
	120 V		4,5 A
	230 V	0,2 A	4,5 A
	400 V	0,15 A	4,0 A
	500 V	0,7 A	2,5 A
	as per UL 60947-5-1		
	voltage	power	
	24 VDC	2,5 A, Pilot duty	
	60 VDC	0,8 A, Pilot duty	
	120 VDC	0,6 A, Pilot duty	
	240 VDC	0,2 A, Pilot duty	
	415 VDC	0,15 A, Pilot duty	
	480 VDC	0,07A, Pilot duty	
120 VAC	4,5 A, Pilot duty		
240 VAC	4,5 A, Pilot duty		
415 VAC	4,0 A, Pilot duty		
480 VAC	2,5 A, Pilot duty		

Contacts: 1 NO

Forward voltage:

Rated impulse withstand voltage Uimp: 4 kV

Rated insulation voltage Ui: 500 V

Recommended minimum operational data:

Gold-silver contacts	
Voltage	24 VDC
Current	5 mA
Hard silver contacts	
Voltage	24 VDC
Current	50 mA

Switching rating: 250 V AC @ 6 A

Electrical lifetime: 50 000 cycles of operation (500 VAC, 10 A)

Pollution degree: 3

Standards: The switches comply with the "Standards for low-voltage switching devices" DIN EN IEC UL 60947-5-1

Thermal current Ith: Max. current as per EN IEC 60947-5-1 6 A

MECHANICAL CHARACTERISTICS

Terminal: Push-in terminal

Contact material: Gold

Switching system: Snap-action switching element

Switching system: The double-break, snap-action switching element is equipped with one or two independent contact systems, acting as normally open or normally closed contact. The snap-action switching element is fitted with self-cleaning contacts.

Operating force: 1 Normally closed approx. 2 N, 1 Normally open approx. 3 N

Wire cross section: Wire cross-section 0.2 ... 1.0 mm² / AWG 24 to AWG 18
Skinning wire 8 mm

Max. number of wires: 2
stranded cables 0.2 ... 0.75 mm²/ AWG 24 bis AWG 18
use stranded wires only with wire end ferrules of 8 mm length
Max. number of stranded cables: 2
Only one polarity is allowed on each side when wiring.

Weight: 0.02 kg

AMBIENT CONDITION

IP Protection: IP20

Operating temperature: - 40 °C ... + 55 °C

Storage temperature: - 40 °C ... + 85 °C

Shock resistance: (single impacts, semi-sinusoidal) 300 m/s², pulse width 18 ms, as per DIN EN 60068-2-27

Vibration resistance: (sinusförmig) 100 m/s² bei 10 Hz...500 Hz, nach DIN EN 60068-2-6, Erhöhtes Breitbandrauschen nach DIN EN 61373, Klasse 1B

Climate resistance: Relative humidity 10 %rh ... 95 %rh (non-condensing) original packaging according to DIN EN IEC 60721-3-1 Class 1C1

CERTIFICATE

Approbations: CB (IEC 60947-5-1), cULus, DNV, VDE

Conformities: CE, CCC, UKCA

REACH: REACH compliant

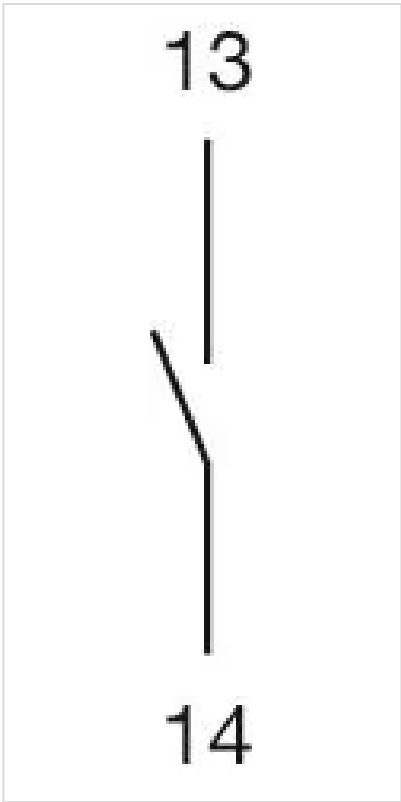
RoHS: RoHS compliant

OTHER

Short Description: Switching element - New Version, Snap-action switching element, 250 V AC @ 6 A, Gold, 1 NO, Push-in terminal

Hints: When using the switching element, the application guidelines must be observed. For the third switching element the terminal marking insert is to be ordered separately
Operating temperature: Other temperatures on request
A suitable enclosure is required for applications with increased protection requirements. In North America, the product must be installed in an enclosure in accordance with UL 50E Type 2 or higher.

Wiring diagrams:



Dimension drawings:

