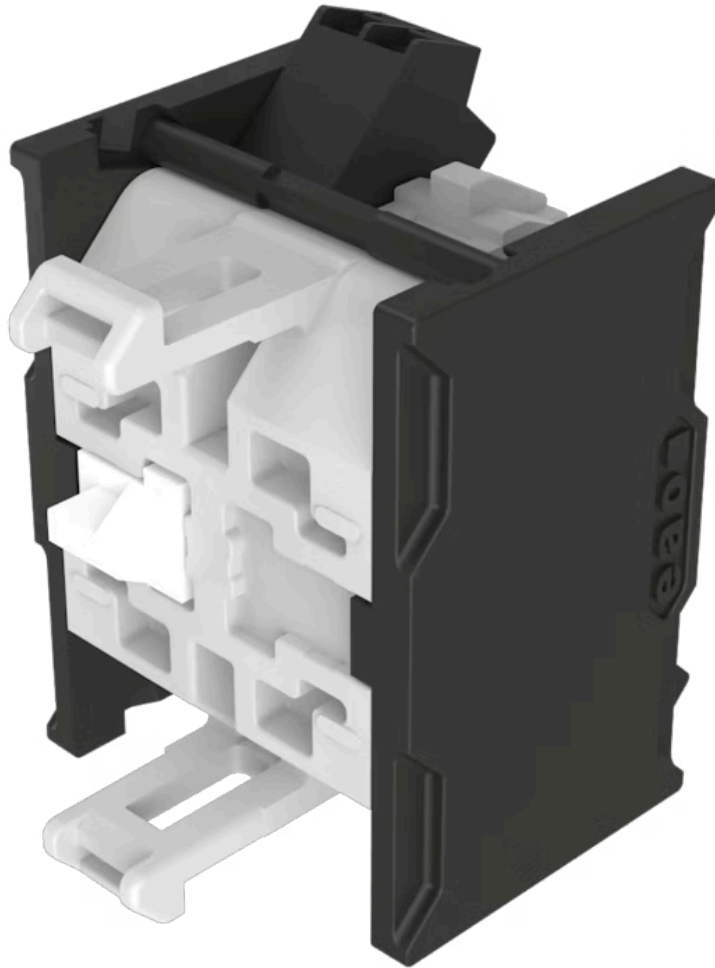


# Switching element - New Version

704.908.1-1

Distribution by  
Farnell



<https://farnell.eao.com/component/704.908.1-1...>

Your product:



## 704.908.1-1 Switching element - New Version

### ELECTRICAL CHARACTERISTICS

#### Switching voltage and switching current:

|                             |                    |       |
|-----------------------------|--------------------|-------|
| as per DIN EN IEC 60947-5-1 |                    |       |
| voltage                     | DC13               | AC15  |
| 24 V                        | 2,5 A              |       |
| 60 V                        | 0,8 A              |       |
| 110 V                       | 0,6 A              |       |
| 120 V                       |                    | 4,5 A |
| 230 V                       | 0,2 A              | 4,5 A |
| 400 V                       | 0,15 A             | 4,0 A |
| 500 V                       | 0,7 A              | 2,5 A |
| as per UL 60947-5-1         |                    |       |
| voltage                     | power              |       |
| 24 VDC                      | 2,5 A, Pilot duty  |       |
| 60 VDC                      | 0,8 A, Pilot duty  |       |
| 120 VDC                     | 0,6 A, Pilot duty  |       |
| 240 VDC                     | 0,2 A, Pilot duty  |       |
| 415 VDC                     | 0,15 A, Pilot duty |       |
| 480 VDC                     | 0,07A, Pilot duty  |       |
| 120 VAC                     | 4,5 A, Pilot duty  |       |
| 240 VAC                     | 4,5 A, Pilot duty  |       |
| 415 VAC                     | 4,0 A, Pilot duty  |       |
| 480 VAC                     | 2,5 A, Pilot duty  |       |

**Contacts:** 1 NO

**Rated impulse withstand voltage U<sub>imp</sub>:** 4 kV

**Rated insulation voltage U<sub>i</sub>:** 500 V

#### Recommended minimum operational data:

|                      |        |
|----------------------|--------|
| Gold-silver contacts |        |
| Voltage              | 24 VDC |
| Current              | 5 mA   |
| Hard silver contacts |        |
| Voltage              | 24 VDC |
| Current              | 50 mA  |

**Switching rating:** 250 V AC @ 6 A

**Electrical lifetime:** 50 000 cycles of operation (500 VAC, 10 A)

**Pollution degree:** 3

**Standards:** The switches comply with the "Standards for low-voltage switching devices" DIN EN IEC UL 60947-5-1

**Thermal current I<sub>th</sub>:** Max. current as per EN IEC 60947-5-1 6 A

## MECHANICAL CHARACTERISTICS

|                            |  |
|----------------------------|--|
| <b>Terminal:</b>           | Push-in terminal   |
| <b>Contact material:</b>   | Silver   |
| <b>Switching system:</b>   | Snap-action switching element  |
| <b>Switching system:</b>   | The double-break, snap-action switching element is equipped with one or two independent contact systems, acting as normally open or normally closed contact. The snap-action switching element is fitted with self-cleaning contacts.  |
| <b>Operating force:</b>    | 1 Normally closed approx. 2 N, 1 Normally open approx. 3 N   |
| <b>Wire cross section:</b> | Wire cross-section 0.2 ... 1.0 mm <sup>2</sup> / AWG 24 to AWG 18<br>Skinning wire 8 mm<br>Max. number of wires: 2<br>stranded cables 0.2 ... 0.75 mm <sup>2</sup> / AWG 24 bis AWG 18<br>use stranded wires only with wire end ferrules of 8 mm length<br>Max. number of stranded cables: 2<br>Only one polarity is allowed on each side when wiring. |
| <b>Weight:</b>             | 0.02 kg  |

## AMBIENT CONDITION

|                               |   |
|-------------------------------|---|
| <b>IP Protection:</b>         | IP20  |
| <b>Operating temperature:</b> | - 40 °C ... + 55 °C   |
| <b>Storage temperature:</b>   | - 40 °C ... + 85 °C   |
| <b>Shock resistance:</b>      | (single impacts, semi-sinusoidal) 300 m/s <sup>2</sup> , pulse width 18 ms, as per DIN EN 60068-2-27                                  |
| <b>Vibration resistance:</b>  | (sinusförmig) 100 m/s <sup>2</sup> bei 10 Hz...500 Hz, nach DIN EN 60068-2-6, Erhöhtes Breitbandrauschen nach DIN EN 61373, Klasse 1B |
| <b>Climate resistance:</b>    | Relative humidity 10 %rh ... 95 %rh (non-condensing) original packaging according to DIN EN IEC 60721-3-1 Class 1C1                   |

## CERTIFICATE

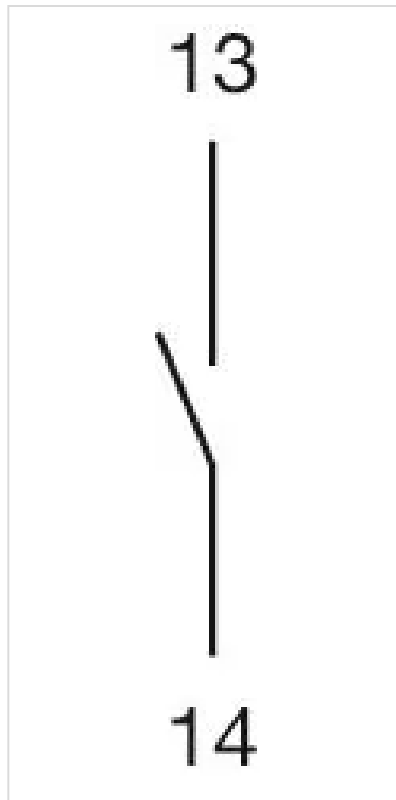
|                      |                                     |
|----------------------|-------------------------------------|
| <b>Approbations:</b> | CB (IEC 60947-5-1), cULus, DNV, VDE |
| <b>Conformities:</b> | CE, CCC, UKCA                       |
| <b>REACH:</b>        | REACH compliant                     |
| <b>RoHS:</b>         | RoHS compliant                      |

## OTHER

|                           |  |
|---------------------------|--|
| <b>Short Description:</b> | Switching element - New Version, Snap-action switching element, 250 V AC @ 6 A, Silver, 1 NO, Push-in terminal |
| <b>Hints:</b>             | When using the switching element, the application guidelines must be observed.                                 |

For the third switching element the terminal marking insert is to be ordered separately  
Operating temperature: Other temperatures on request  
A suitable enclosure is required for applications with increased protection requirements. In North America, the product must be installed in an enclosure in accordance with UL 50E Type 2 or higher.

**Wiring diagrams:**



**Dimension drawings:**

