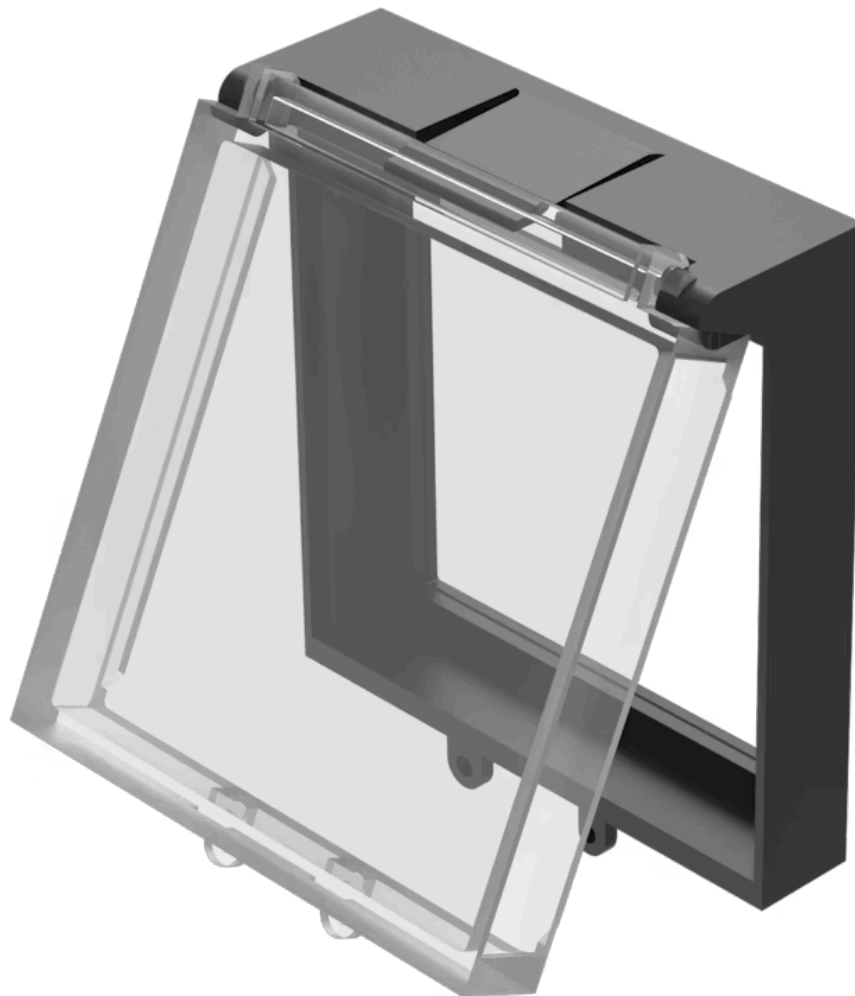


# Protective cover

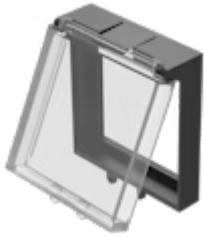
704.925.8

Distribution by  
Farnell



<https://farnell.eao.com/component/704.925.8/e...>

Your product:



## 704.925.8 Protective cover

### MOUNTING

**Mounting cut-out:** 30 mm x 30 mm

### MECHANICAL CHARACTERISTICS

**Weight:** 0.007 kg

### OTHER

**Short Description:** Protective cover, 38.5 mm x 45 mm, 30 mm x 30 mm, Plastic, transparent

**Titel Accessory:** Protective cover

**Dimension:** 38.5 mm x 45 mm

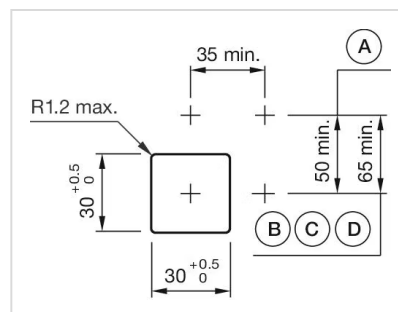
**Material:** Plastic

**Product attributes:** For push button

**Hints:** Hinged, with means for sealing  
Front panel thickness reduces by 2 mm  
Please note that bigger minimum distances are necessary

**Optics:** transparent

**Mounting cut-outs:**



A = Screw terminal  
B = Push-in terminal (PIT)  
C = Plug-in terminal 6.3 mm x 0.8 mm  
D = Double plug-in terminal 6.3 mm x 0.8 mm

**Dimension drawings:**

