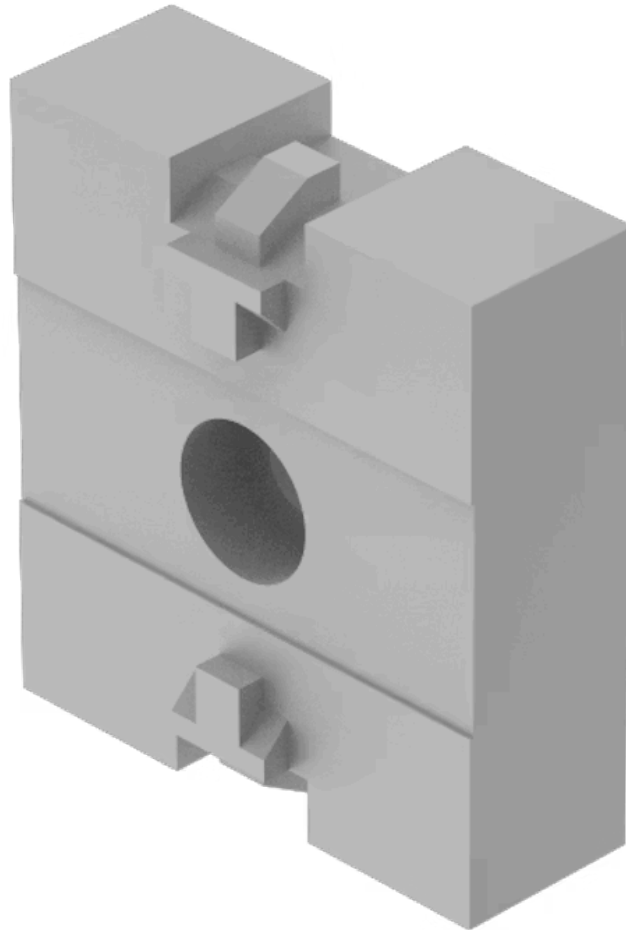


# Mounting plate

704.940.8

Distribution by  
Farnell



<https://farnell.eao.com/component/704.940.8/e...>

Your product:



## 704.940.8 Mounting plate

*Loading ...*

### FRONT

**Colour:** Grey

### ELECTRICAL CHARACTERISTICS

**Forward voltage:**

### MECHANICAL CHARACTERISTICS

**Weight:** 0.006 kg

### OTHER

**Short Description:** Mounting plate, Plastic, Grey

**Titel Accessory:** Mounting plate

**Material:** Plastic

**Product attributes:** For separate mounting of lamp transformer, resistor block or capacitor block

**Dimension drawings:**

