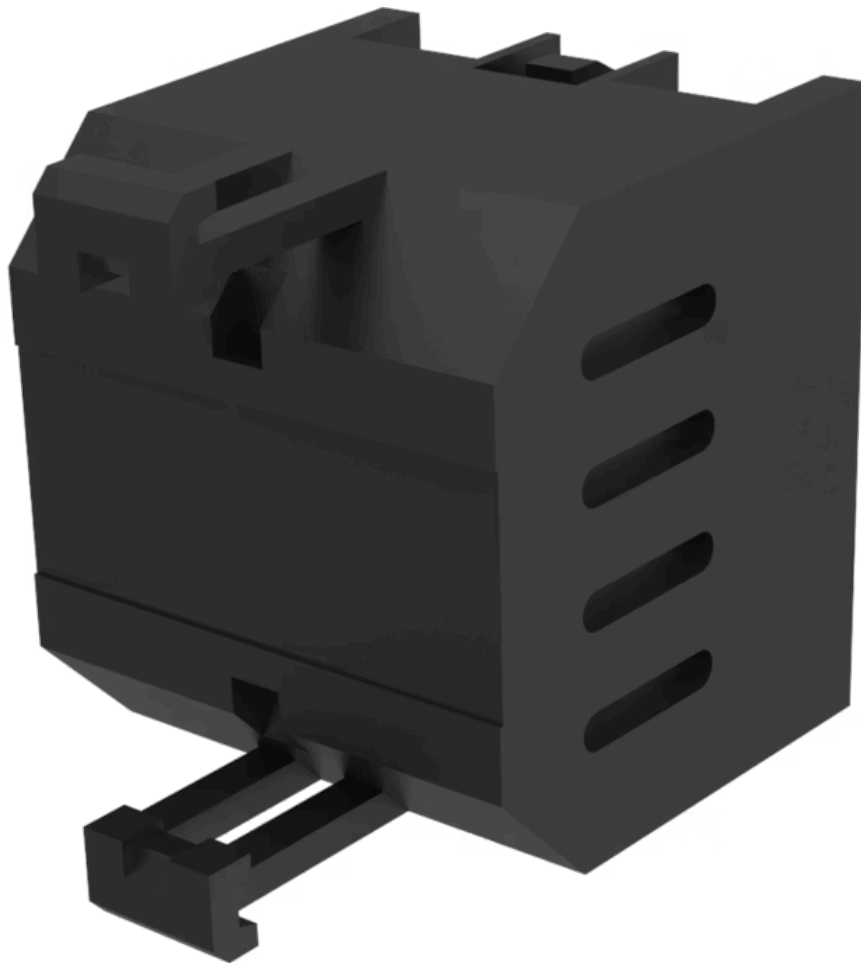


Diode block 1N4007

704.942.5

Distribution by
Farnell



<https://farnell.eao.com/component/704.942.5/e...>

Your product:



704.942.5
Diode block 1N4007

MECHANICAL CHARACTERISTICS

Terminal: Screw terminal

Weight: 0.02 kg

OTHER

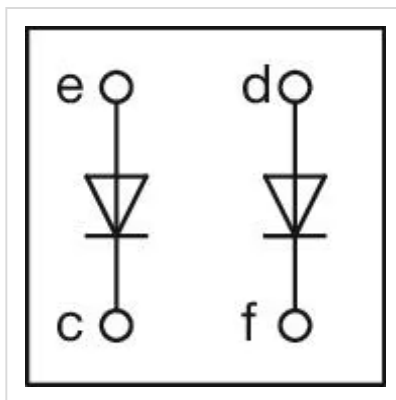
Short Description:

Diode block 1N4007, Screw terminal

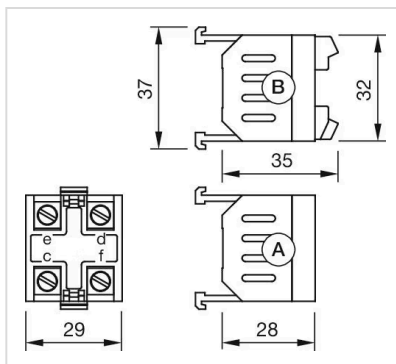
Titel Accessory:

Diode block 1N4007

Wiring diagrams:



Dimension drawings:



A = Screw terminal
Push-in terminal (PIT)