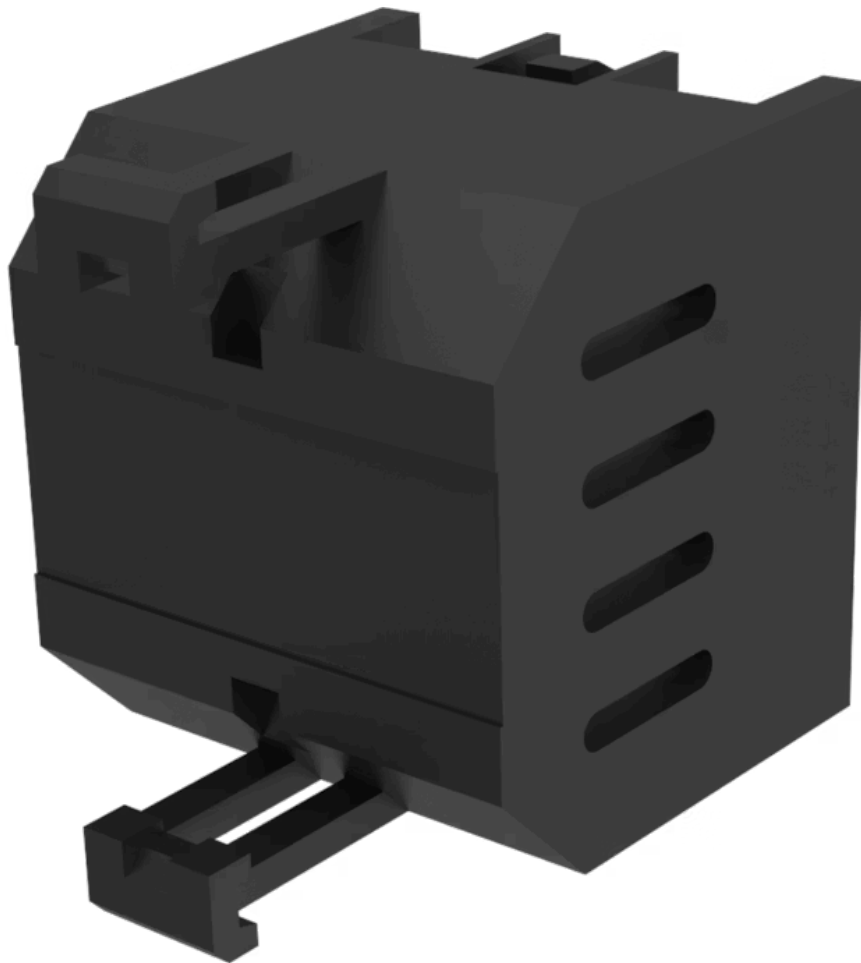


Flasher element

704.943.0

Distribution by
Farnell



<https://farnell.eao.com/component/704.943.0/e...>

Your product:



704.943.0 Flasher element

ELECTRICAL CHARACTERISTICS

Operating voltage: 130 - 230 V AC/DC $\pm 6\%$

Operation current: 20 mA

MECHANICAL CHARACTERISTICS

Terminal: Screw terminal

Weight: 0.026 kg

AMBIENT CONDITION

IP Protection: IP30 rear side

Operating temperature: 0 °C ... + 50 °C

CERTIFICATE

REACH: REACH compliant

RoHS: RoHS compliant

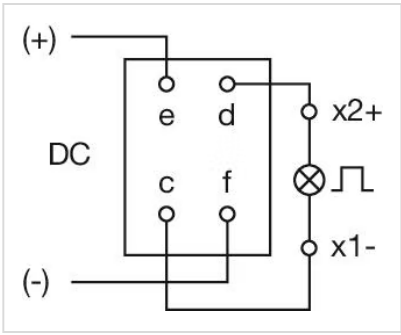
OTHER

Short Description: Flasher element, 130 - 230 V AC/DC $\pm 6\%$, Screw terminal

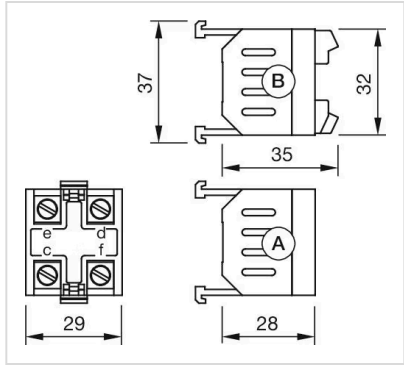
Housing material: Plastic, according to UL 94 V0

Product attributes: Lamp voltage/-current 130 V, 20 mA

Wiring diagrams:



Dimension drawings:



A = Screw terminal
 Push-in terminal (PIT)